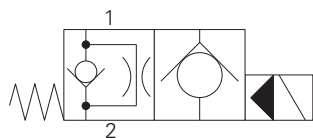


SV5-8-O/OP/OS - Solenoid valve

Poppet type, normally open solenoid valve
23 L/min (6 USgpm) • 210 bar (3000 psi)

www: www.salushydraulics.pl
e-mail: pl@salushydraulics.pl
shop/sklep: www.salushydraulics.pl/sklep/

A



Operation

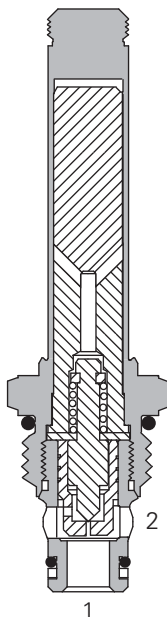
In the de-energized position the valve allows free flow from port 2 to 1 and a restricted flow through the pilot orifice from port 1 to 2.

When the solenoid is energized the pilot poppet closes the orifice and the valve closes blocking flow from port 2 to 1 while allowing free flow from port 1 to 2.

Features

Hardened and ground working parts. Lapped seat for low leakage. IP69K Tough coil and the valve closes blocking flow from port 2 to 1 while allowing free flow from port 1 to 2.

Sectional view



Performance data

Ratings and specifications

Performance data is typical with fluid at 21,8 cSt (105 SUS) and 49°C (120°F)

Typical application pressure (all ports)	210 bar (3000 psi)
Cartridge fatigue pressure (infinite life)	210 bar (3000 psi)
Rated flow	23 L/min (6 USgpm)
Internal leakage	less than 5 drops/min, max @ 210 bar (3000 psi) with valve energized
Temperature range	-40° to 120°C (-40° to 248°F)
Coil duty	Continuous from 85% to 110% of nominal voltage
Response times (100% rated voltage and flow)	Energize: 24 ms. De-Energize: 25 ms
Cavity	C-8-2
Fluids	All general purpose hydraulic fluids such as: MIL-H-5606, SAE 10, SAE 20 etc
Filtration	Cleanliness code 18/16/13
Housing material (standard)	Aluminum
Weight including coil	0,28 kg (0.62 lbs)
Seal kit	02-165875 (Buna-N), 02-165877 (Viton®)

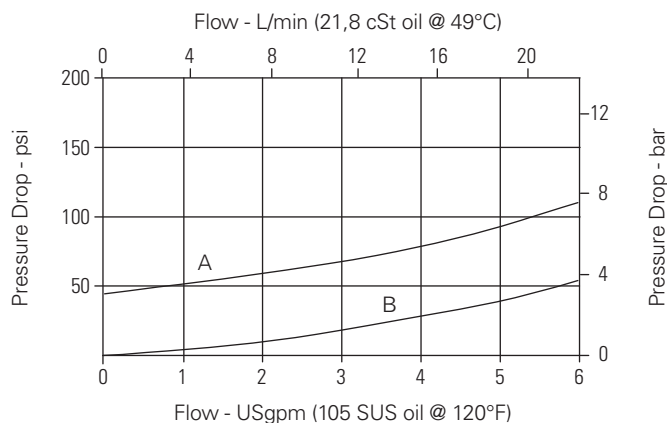
Viton is a registered trademark of E.I. DuPont

Description

This is a 2-way, 2-position, poppet type, pilot operated, normally open solenoid valve. This valve is used in applications requiring low leakage, such as load holding applications or as a general purpose diverter or dump valve.

Pressure drop

Cartridge only



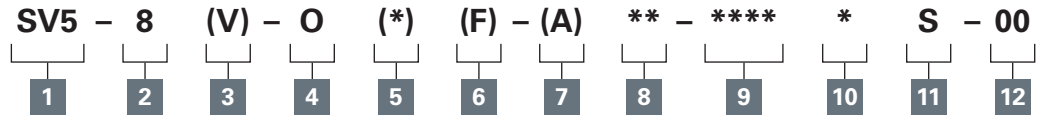
A - Port 1 to port 2 energized
B - Port 2 to port 1 de-energized

Where measurements are critical request certified drawings. We reserve the right to change specifications without notice.

SV5-8-O/OP/OS - Solenoid valve

Poppet type, normally open solenoid valve
23 L/min (6 USgpm) • 210 bar (3000 psi)

Model code



1 Function
SV5 - Solenoid valve

2 Size
8 - 8 size

3 Seal material
Blank - Buna-N
V - Viton®

4 Style
O - Normally open

5 Manual override option
Blank - No manual override
P - Push type
S - Screw type
For valve dimensions with manual override option installed see page A-980.

6 Filter option
Blank - None
F - Filter screen

8 Port size

Code	Port size	Housing number
0	Cartridge only	
2G	1/4" BSPP	02-160727
3G	3/8" BSPP	02-160728
4T	SAE 4	02-160730
6T	SAE 6	02-160731
8T	SAE 8	02-160732

See section J for housing details.

9 Voltage rating
00 - No coil
12D - 12VDC
24D - 24VDC
36D - 36VDC

7 Valve housing material
Omit for cartridge only
A - Aluminum

24A - 24VAC
115A - 115VAC
230A - 230VAC
12B - 12VDC/w diode*
24B - 24VDC/w diode*

*Optional arc suppression diode.

10 Connector types
Blank - No coil
G - ISO 4400 DIN 43650
Q - Spade terminals
W - Flying lead
N - Deutsch (DC only)
Y - Amp JR (DC only)
D - Metripack 150 male (DC only)
J - Metripack 280 male (DC only)

11 Coil series
S - 8 series, 20 W

For coil part numbers and dimensions see section C.

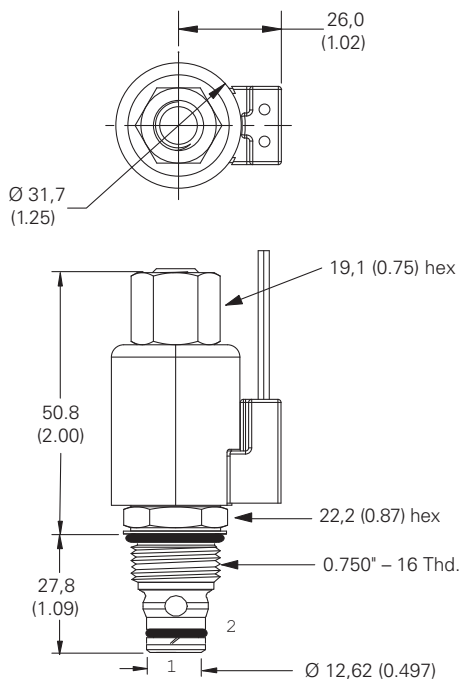
12 Special features
00 - None
(Only required if valve has special features, omitted if "00".)

Dimensions
mm (inch)

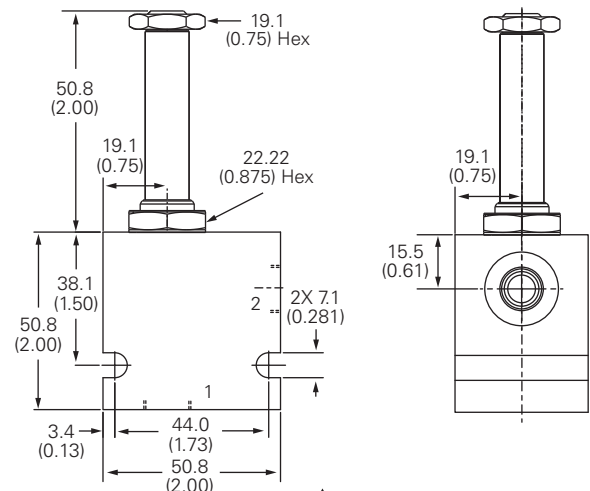
Torque cartridge in aluminum housing 34-41 Nm (25-30 ft lbs)

Note: When solenoid valve is ordered as cartridge only, coil nut is included.

Cartridge only



Installation drawing



Warning
Maintain 5-8 Nm (4-6 ft lbs) maximum torque on valve tube nut.
Over tightening may cause valve failure.

Where measurements are critical request certified drawings. We reserve the right to change specifications without notice.