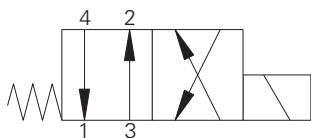


# SV1-8-4/4M - Solenoid valve

4-way, 2-position, spool type solenoid valve  
Up to 11 L/min (3 USgpm) • 210 bar (3000 psi)

www: [www.salushydraulics.pl](http://www.salushydraulics.pl)  
e-mail: [pl@salushydraulics.pl](mailto:pl@salushydraulics.pl)  
shop/sklep: [www.salushydraulics.pl/sklep/](http://www.salushydraulics.pl/sklep/)

A



### Operation

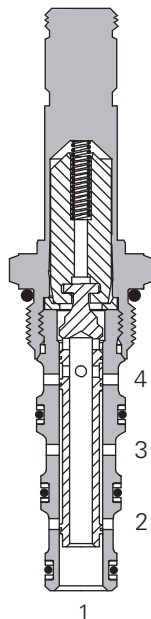
In the de-energized position this valve allows flow from port 4 to port 1 and from port 3 to port 2.

In the energized position flow is allowed from port 3 to port 4 and from port 2 to port 1.

### Features

Hardened, ground and honed working parts to limit leakage. IP69K Tough coil compatibility. Continuously rated. Compact design with low Pressure drop. Rated pressure on all ports.

### Sectional view



### Performance data

#### Ratings and specifications

*Performance data is typical with fluid at 21,8 cSt (105 SUS) and 49°C (120°F)*

Typical application pressure (all ports)	210 bar (3000 psi)
Cartridge fatigue pressure (infinite life)	210 bar (3000 psi)
Rated flow	11 L/min (3 USgpm)
Internal leakage (per land)	82 cm <sup>3</sup> /min (5 in <sup>3</sup> /min) max @ 210 bar (3000 psi)
Temperature range	-40° to 120°C (-40° to 248°F)
Coil duty	Continuous from 85% to 110% of nominal voltage
Cavity	C-8-4
Fluids	All general purpose hydraulic fluids such as: MIL-H-5606, SAE 10, SAE 20, etc.
Filtration	Cleanliness code 18/16/13
Housing material (standard)	Aluminum
Weight including coil	0,31 kg (0.69 lbs)
Seal kit	02-160757 (Buna-N), 02-160758 (Viton®)

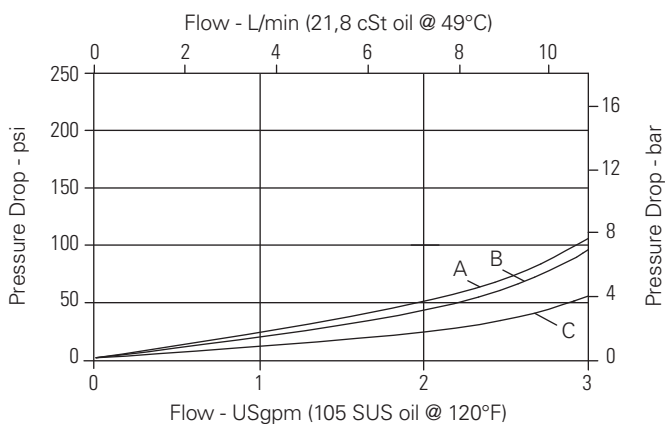
Viton is a registered trademark of E.I. DuPont

### Description

This is a 4-way 2-position, direct acting, spool type solenoid valve. This valve can be used in applications where the motion of a double acting cylinder or a motor needs to be reversed.

### Pressure drop

Cartridge only



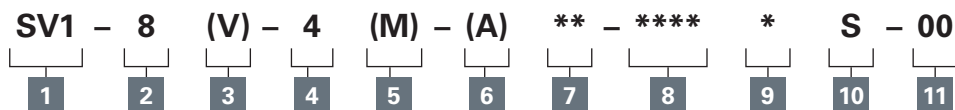
- A** - Port 3 to port 4 or port 3 to port 2
- B** - Port 4 to port 1
- C** - Port 2 to port 1

Where measurements are critical request certified drawings. We reserve the right to change specifications without notice.

# SV1-8-4/4M - Solenoid valve

4-way, 2-position, spool type solenoid valve  
Up to 11 L/min (3 USgpm) • 210 bar (3000 psi)

## Model code



A

### 1 Function

SV1 - Solenoid valve

### 2 Size

8 - 8 size

### 3 Seal material

Blank - Buna-N

V - Viton®

### 4 Style

4 - 4-way, 2 position

### 5 Manual override option

Blank - No manual override

M - Manual override

For valve dimensions with Manual override option installed, see page A-980.

### 6 Valve housing material

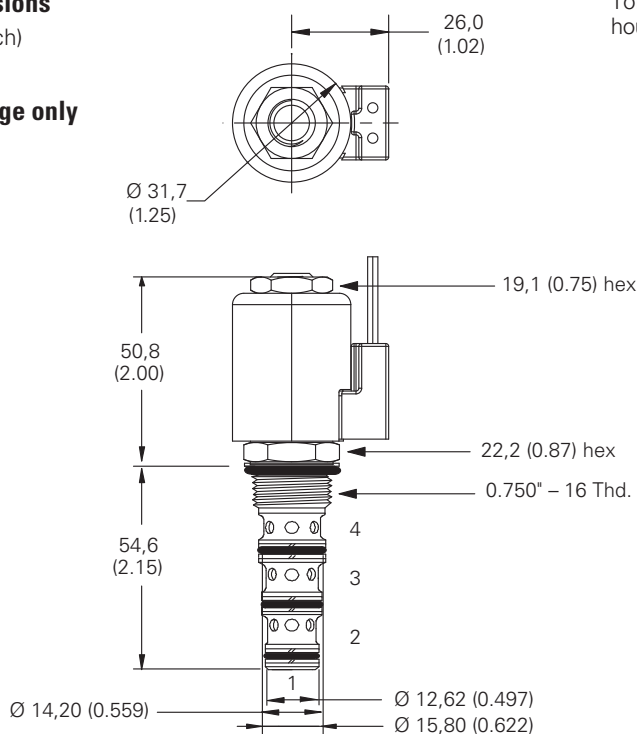
Omit for Cartridge only

A - Aluminum

### Dimensions

mm (inch)

### Cartridge only



### 7 Port size

Code	Port size	Housing number
0	Cartridge only	
2G	1/4" BSPP	02-160747
3G	3/8" BSPP	02-160748
4T	SAE 4	02-160749
6T	SAE 6	02-160750

See section J for housing details.

### 8 Voltage rating

00 - No coil

12D - 12VDC

24D - 24VDC

36D - 36VDC

24A - 24VAC

115A - 115VAC

230A - 230VAC

12B - 12VDC/w diode\*

24B - 24VDC/w diode\*

\*Optional arc suppression diode.

### 9 Connector types

Blank - No coil

G - ISO 4400 DIN 43650

Q - Spade terminals

W - Flying lead

N - Deutsch (DC only)

Y - Amp JR (DC only)

D - Metripack 150 male (DC only)

J - Metripack 280 male (DC only)

### 10 Coil series

S - 8 series, 20 W

For coil part numbers and dimensions see section C.

### 11 Special features

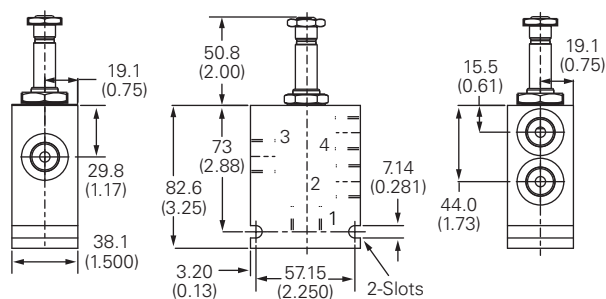
00 - None

(Only required if valve has Special features omitted if "00".)

Torque cartridge in steel housing 34-41 Nm (25-30 ft lbs)

**Note:** When solenoid valve is ordered as Cartridge only, nut is included.

### Installation drawing



### Warning

Maintain 5-8 Nm (4-6 ft lbs) maximum torque on valve tube nut.

Over tightening may cause valve failure.

Where measurements are critical request certified drawings. We reserve the right to change specifications without notice.