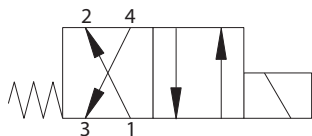


SV7-10-4/4P/4S - Solenoid valve

4-way, 2-position, spool type solenoid valve
17 L/min (5 USgpm) • 210 bar (3000 psi)

www: www.salushydraulics.pl
e-mail: pl@salushydraulics.pl
shop/sklep: www.salushydraulics.pl/sklep/

A



Operation

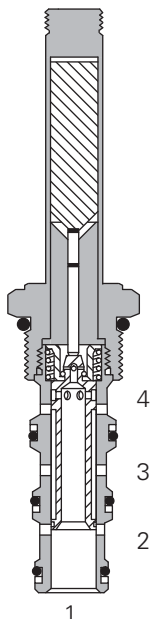
In the de-energized position this valve allows flow from port 3 to port 4 and from port 2 to port 1.

In the energized position flow is allowed from port 3 to port 2 and from port 4 to port 1.

Features

Hardened, ground and honed working parts to limit leakage. IP69K Tough coil compatibility. Continuously rated. Compact design with low Pressure drop. Rated pressure on all ports.

Sectional view



Performance data

Ratings and specifications

Performance data is typical with fluid at 21,8 cSt (105 SUS) and 49° C (120° F)

| | |
|--|---|
| Typical application pressure (all ports) | 210 bar (3000 psi) |
| Cartridge fatigue pressure (infinite life) | 210 bar (3000 psi) |
| Rated flow | 17 L/min (5 USgpm) |
| Internal leakage | 164 cm ³ /min (10 in ³ /min) max @ 210 bar (3000 psi) |
| Temperature range | -40° to 120°C (-40° to 248°F) |
| Coil duty | Continuous from 85% to 110% of nominal voltage |
| Cavity | C-10-4 |
| Fluids | All general purpose hydraulic fluids such as: MIL-H-5606, SAE 10, SAE 20 etc. |
| Filtration | Cleanliness code 18/16/13 |
| Housing material (standard) | Aluminum |
| Weight including coil | 0,44 kg (0.96 lbs) |
| Seal kit | 889625 (Buna-N), 566080 (Viton®) |

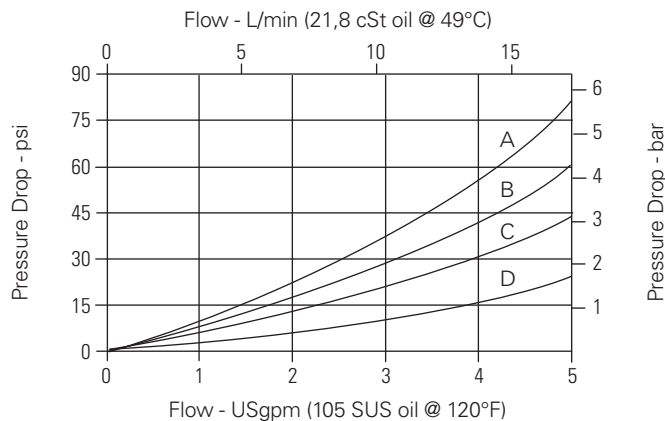
Viton is a registered trademark of E.I. DuPont

Description

This is a 4-way 2-position, direct acting, spool type solenoid valve. This valve can be used in applications where the motion of a double acting cylinder or a motor needs to be reversed.

Pressure drop

Cartridge only



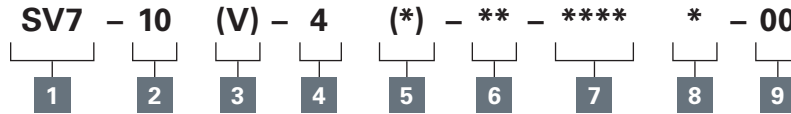
- A - Port 4 to port 1 energized
- B - Port 3 to port 2 energized
- C - Port 3 to port 4 de-energized
- D - Port 2 to port 1 de-energized

Where measurements are critical request certified drawings. We reserve the right to change specifications without notice.

SV7-10-4/4P/4S - Solenoid valve

4-way, 2-position, spool type solenoid valve
17 L/min (5 USgpm) • 210 bar (3000 psi)

Model code



A

1 Function

SV7 - Solenoid valve

2 Size

10 - 10 size

3 Seal material

Blank - Buna-N

V - Viton®

4 Style

4 - 4-way, 2-position

5 Manual override option

Blank - No manual override

P - Push type

S - Screw type

For valve dimensions with Manual override option installed see page A-980.

6 Port size

| Code | Port size | Housing number |
|------|----------------|----------------|
| 0 | Cartridge only | |
| 3B | 3/8" BSPP | 02-179705* |
| 6T | SAE 6 | 566161* |
| 2G | 1/4" BSPP | 876709 |
| 3G | 3/8" BSPP | 876715 |
| 6H | SAE 6 | 876708 |
| 8H | SAE 8 | 876713 |

*Light duty housing
See section J for housing details.

7 Voltage rating

00 - No coil

12D - 12VDC

24D - 24VDC

36D - 36VDC

24A - 24VAC

115A - 115VAC

230A - 230VAC

12B - 12VDC/w diode*

24B - 24VDC/w diode*

*Optional arc suppression diode.

8 Connector types

Blank - No coil

G - ISO 4400 DIN 43650

Q - Spade terminals

W - Flying lead

N - Deutsch (DC only)

Y - Amp JR (DC only)

D - Metripack 150 male (DC only)

J - Metripack 280 male (DC only)

For coil part numbers and dimensions see section C.

9 Special features

00 - None

(Only required if valve has Special features omitted if "00".)

Note: Use J series 23 W coils with this solenoid valve.

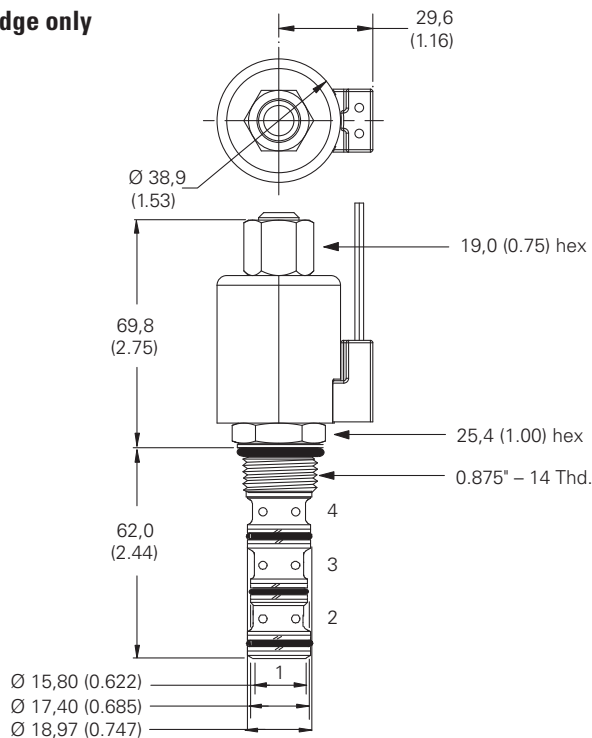
Dimensions

mm (inch)

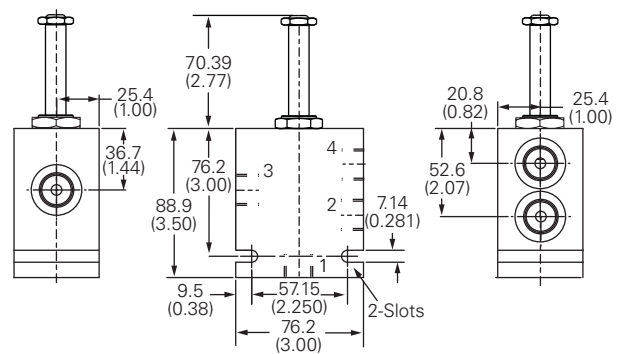
Torque cartridge in steel housing 47-54 Nm (35-40 ft lbs)

Note: When solenoid valve is ordered as Cartridge only, nut is included.

Cartridge only



Installation drawing



Warning

Maintain 5-8 Nm (4-6 ft lbs) maximum torque on valve tube nut. Over tightening may cause valve failure.

Where measurements are critical request certified drawings. We reserve the right to change specifications without notice.