

# Solenoid Valves

## SV13-10-C

www: [www.salushydraulics.pl](http://www.salushydraulics.pl)  
 e-mail: [pl@salushydraulics.pl](mailto:pl@salushydraulics.pl)  
 shop/sklep: [www.salushydraulics.pl/sklep/](http://www.salushydraulics.pl/sklep/)

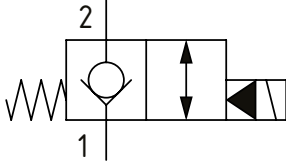


Solenoid Valve, 2-way, Poppet Type, Normally Closed, Pilot Operated with Reverse Free Flow  
**350 bar [5000 psi] • 45 l/min [12 US gpm]**

### OPERATION AND DESCRIPTION

This is a 2-way, 2-position, poppet type, pilot operated, normally closed solenoid valve. In its de-energized condition, flow passes from port 1 to 2 but is blocked in the opposite direction. When energized, flow passes from port 2 to 1 and from 1 to 2. Due to the low leakage provided by the poppet design, these valves can be used to hold loads in position or to interrupt a pressure line where flow normally passes in both directions.

### SCHEMATIC



### PERFORMANCE DATA

|                       |   |
|-----------------------|---|
| <b>Rated Pressure</b> | <b>350 bar [5000 psi]</b>               |
| <b>Rated flow</b>     | <b>45 l/min [12 US gpm]</b>             |
| <b>Leakage</b>        | <b>5 drops/min @ 350 bar [5000 psi]</b> |
| <b>Coil Options</b>   | <b>H series</b>                         |
| <b>Weight</b>         | <b>0.18 kg [0.39 lb]</b>                |
| <b>Cavity</b>         | <b>SDC10-2</b>                          |

### MODEL CODE

**SV13 - 10 - V - C - M - S - 2G - 12D - G - H**

#### Seal Option

| Code          | Seal kit |
|---------------|----------|
| Omit-Buna - N | 565803   |
| V-Viton       | 566086   |

#### Manual Override Option

Omit - No manual override  
 M - Pull and Twist

#### Housing Material

Omit - No housing  
 S - Steel

#### Housing

| Code | Ports      | Steel     |
|------|------------|-----------|
| 0    | No Housing |           |
| 2G   | 1/4" BSP   | 02-175102 |
| 3G   | 3/8" BSP   | 02-175103 |
| 6T   | #6 SAE     | 02-175100 |
| 8T   | #8 SAE     | 02-175101 |

\* Aluminum bodies are to be used for pressures less than 210 bar [3000 psi].  
 \* Additional housings available

#### Coil Series

Omit - No coil  
 H - 10 series, 29 W

#### Connector Type

Omit - No coil  
 G - ISO 4400 DIN 43650  
 Q - Spade terminals  
 W - Flying lead  
 N - Deutsch (DC only)  
 Y - Amp JR (DC only)  
 D - Metripack 150 male (DC only)  
 J - Metripack 280 male (DC only)

#### Coil Voltage

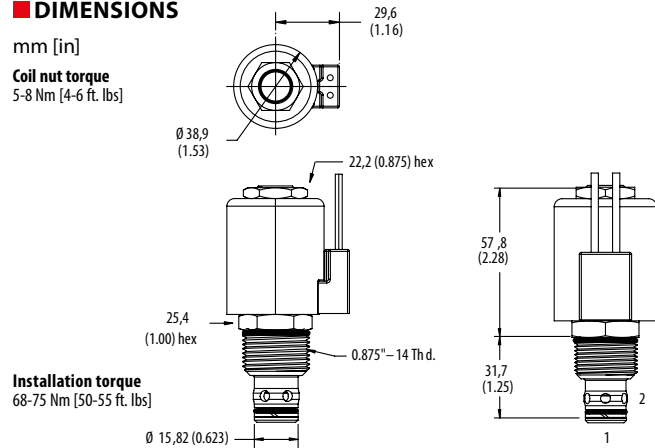
| Code | Coil Voltage                           |
|------|--|
| 00   | No Coil, nut included, (p/n 02-175698) |
| 12D  | 12 VDC                                 |
| 24D  | 24 VDC                                 |
| 115A | 115 VAC**                              |
| 230A | 230 VAC**                              |
| 12B  | 2VDC/w diode*                          |
| 24B  | 24 VDC/w diode*                        |

\*Optional arc suppression diode  
 \*\*Internally rectified  
 \*\*\*Other voltage options available

### DIMENSIONS

mm [in]

**Coil nut torque**  
 5-8 Nm [4-6 ft. lbs]



**Installation torque**  
 68-75 Nm [50-55 ft. lbs]

### PERFORMANCE CURVES

#### Pressure Drop

