

Check Valves

4CK90

Pilot Operated Check Valve, Port 3 Pilot to Open

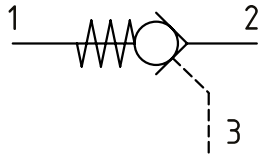
350 bar [5000 psi] • 90 l/min [24 US gpm]

401AA00004A, 4CK90-1-S3

DESCRIPTION AND OPERATION

This is a pilot operated check valve where free flow takes place from port 2 to 1 and is blocked from port 1 to 2 until pilot pressure is applied to port 3.

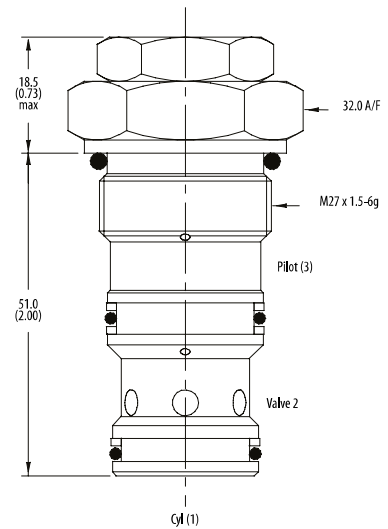
SCHEMATIC



www: www.salushydraulics.pl
 e-mail: pl@salushydraulics.pl
 shop/sklep: www.salushydraulics.pl/sklep/

DIMENSIONS

mm [in]

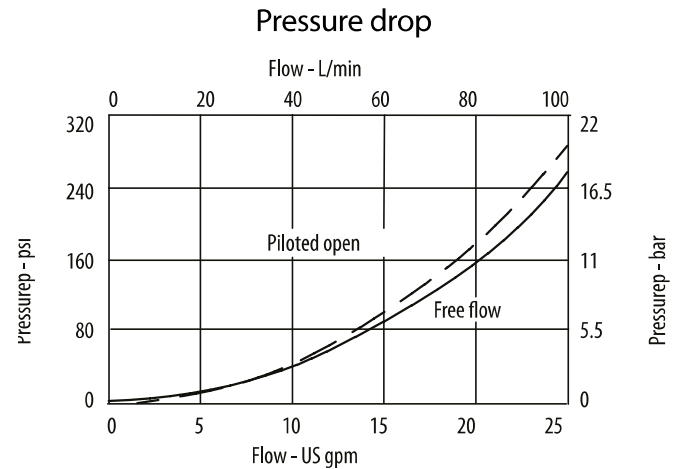


Installation torque
90 Nm [66 ft. lbs]

PERFORMANCE DATA

| | |
|----------------|----------------------------|
| Rated pressure | 350 bar [5000 psi] |
| Rated flow | 90 l/min [24 US gpm] |
| Weight | 0.27 kg [0.61 lbs] |
| Pilot Ratio | 4:1 |
| Leakage | 0.3 ml/min nominal [5 dpm] |
| Cavity | A12336 |

PERFORMANCE CURVES



MODEL CODE

| 4CK90 - 1 - 4W - S - 3 - 377 | | | | |
|------------------------------------|------------------------------|--|---------------------|-------------------------|
| Basic Code | | | | |
| 4CK90-No Housing | | | | |
| 4CK95-Cartridge and Housing | | | | |
| 4CKK95-Cartridges and Dual Housing | | | | |
| Pilot Option | | | | |
| 1 -Internal | | | | |
| Housing | | | | |
| Code | Ports | Housing Model Code | | |
| | | Aluminium single | Steel single | Aluminium double |
| | | | | Steel double |
| Omit | No Housing | | | |
| 4W | 1/2" BSP 1/4" BSP Pilot Port | B13625 | B13626 | C13627 |
| 8T | 1/2" SAE 1/4" SAE Pilot Port | B10806 | B10922 | C10807 |
| | | | | C11561 |
| | | *Aluminum bodies are to be used for pressures less than 210 bar [3000 psi] | | |
| | | * Additional housings available | | |
| Housing Material | | | | |
| Omit-Aluminum/No housing | | | | |
| 377-Steel | | | | |
| Pilot Seal Option | | | | |
| Omit -No seals | | | | |
| 3 -Seals | | | | |
| Seal Option | | | | |
| Code | Seal kit | | | |
| S -Nitrile | SK832 | | | |
| SV -Viton | SK832V | | | |