

Motion Control Valves

1CEB30

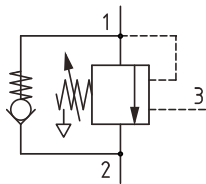
406AA00010A, 1CEB30-F-35S5

Overcenter Valve, Fully Balanced, Direct Acting, Atmospheric Vent, Port 3 Pilot
350 bar [5000 psi] • 30 l/min [8 US gpm]

DESCRIPTION AND OPERATION

This is a direct acting overcenter valve, which is a pilot assisted relief valve with a free flow check. With the relief valve set at around 1.3 times the maximum load induced pressure, the valve will prevent flow from taking place between ports 1 and 2. When pilot pressure is applied to port 3 the valve will meter the flow from port 1 to 2 compensating for any change in pilot pressure due to over-running or unstable loads. Free flow from port 2 to port 1 can take place freely through the check portion of the valve. These valves are ideal in most applications bringing stability, load holding, and hose failure protection when the valve is mounted onto or into the actuator. The spring chamber is connected to atmosphere, so any back pressure will have no effect on the opening of the valve. Over time, there may be leakage past the seals to atmosphere. For valves with a separate drain port, reference the 1CEBD products. This is also available in a dual housing for bi-directional control.

SCHEMATIC

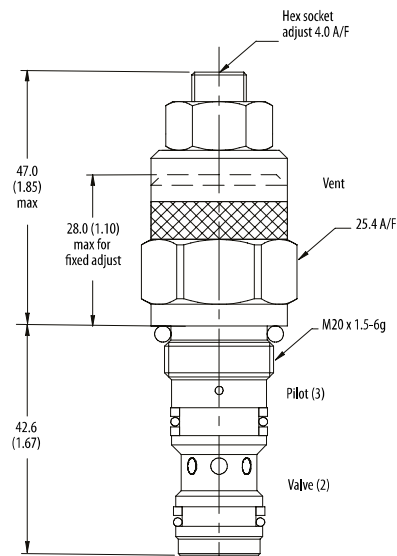


PERFORMANCE DATA

| | |
|--|----------------------------------|
| Rated pressure | 350 bar [5000 psi] |
| Rated flow | 30 l/min [8 US gpm] |
| Max total relief pressure | 350 bar [5000 psi] |
| Max recommended load pressure at max setting | 270 bar [3900 psi] |
| Pilot Ratio | 5:1 |
| Leakage | 0.3 ml/min nominal [5 drops/min] |
| Weight | 0.14 kg [0.30 lb] |
| Cavity | A6610 |

DIMENSIONS

mm [in]

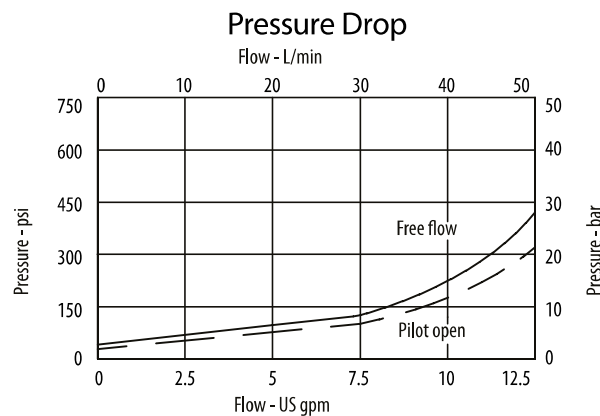


Turn CW to increase pressure setting and CCW to decrease pressure setting

Torque lock nut to 20-25 Nm [15-18 ft lbs]

Installation Torque
 45 Nm [33 ft. lbs]

PERFORMANCE CURVES



Motion Control Valves

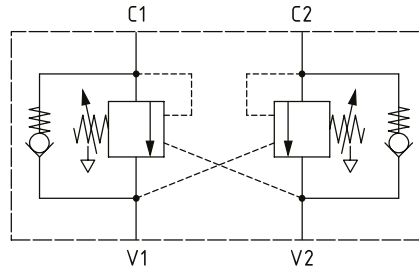
1CEB30

Overcenter Valve, Fully Balanced, Direct Acting, Atmospheric Vent, Port 3 Pilot

350 bar [5000 psi] • 30 l/min [8 US gpm]

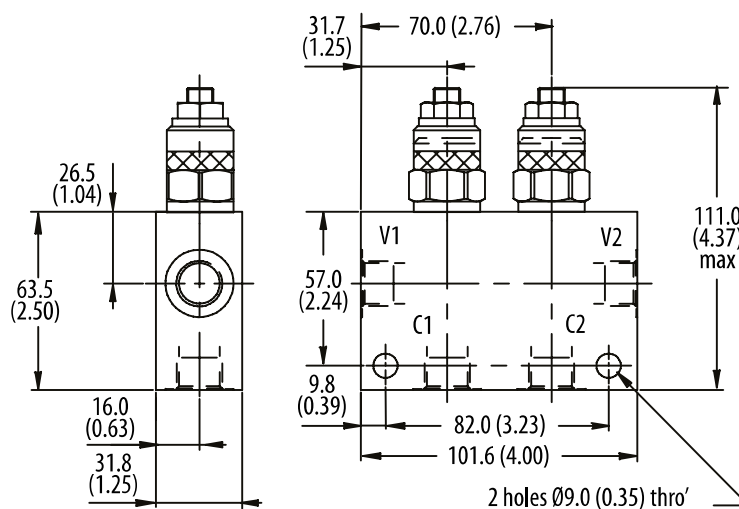
■ SCHEMATIC

1CEEB34 (dual)



■ DIMENSIONS

mm [in]



■ MODEL CODE

1CEB30 - F - 3W - 35 - S - 5 - 377 - 210

Basic Code

1CEB30 - No housing
1CEB35 - Cartridge and housing
1CEEB34 - Cartridges and dual housing

Adjustment Option

F - External
N - Non-adjustable option, contact technical support.

Housing

| Code | Ports | Aluminum single | Steel single | Aluminum dual | Steel dual |
|------|---|-----------------|--------------|---------------|------------|
| Omit | No housing | | | | |
| 3W | 3/8" BSP Valve & Cyl Port 1/4" BSP Pilot Port | B6743 | B12823 | B6836 | B13803 |
| 6T | 3/8" SAE Valve & Cyl Port 1/4" SAE Pilot Port | B10536 | | B10805 | |
| 8T | 1/2" SAE Valve & Cyl Port 1/4" SAE Pilot Port | B7884 | B11811 | B30237 | B11812 |

* Aluminum bodies are to be used for pressures less than 210 bar [3000 psi].

* Additional housings available

Pressure Setting

Code Pressure setting in bar (10 bar increments within specified Pressure Range)

XXX - Standard setting (see Pressure Range for value)
Example:

| Code | Bar | Psi |
|------|-----|--------|
| 210 | 210 | [3000] |

Housing Material

Omit - Aluminum/No housing
377 - Steel

Pilot Ratio

5 - 5:1

Seal Option

| Code | Seal kit |
|----------|----------|
| S-Buna-N | SK395 |
| SV-Viton | SK395V |

Pressure Range

| Code | Bar | Psi |
|------------------|---------|-------------|
| 35 | 100-350 | [1450-5000] |
| Standard Setting | 210 | [3000] |

Std setting made at 4.5 l/min