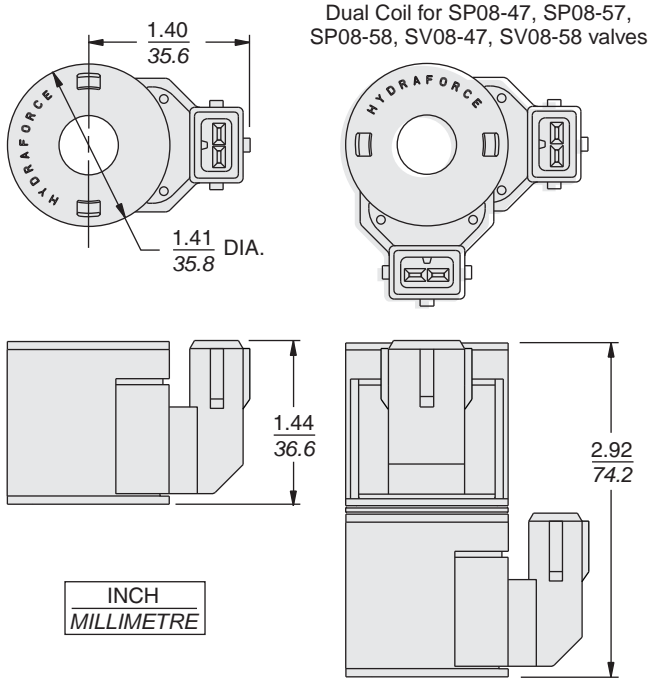


Series E Environmental Coils

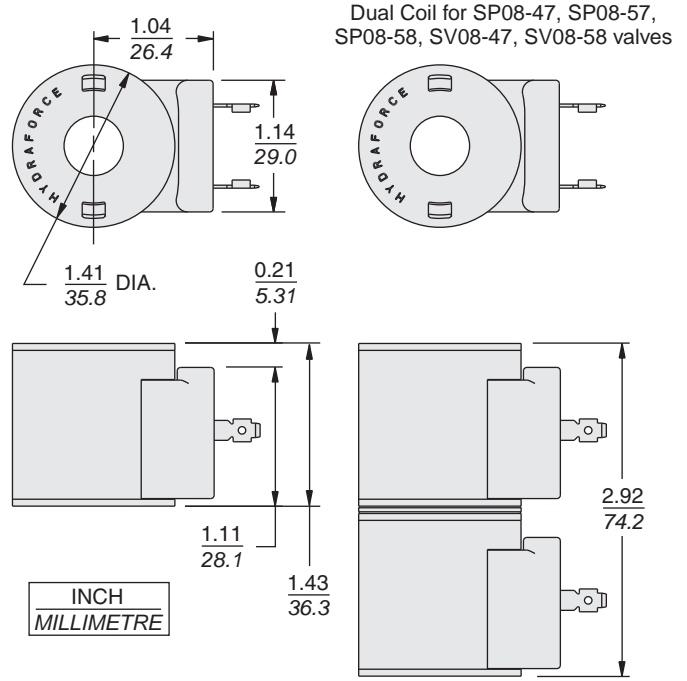
08-SIZE SERIES E COILS (also for use on 98-size screw-in spool-type valves)



EJ

**IP67 Rated 08-Size Coil
Amp Jr. Timer Connector**

[Coil 08_EJ STP Files](#)



EG

IP65 Rated 08-Size Coil; DIN 43650 Connector
IP67 rated if used with sealed mating connector and gasket

[Coil 08_EG STP Files](#)

EJ Coil Part No.	EJ/Z* Coil Part No.	EG Coil Part No.	EG/Z* Coil Part No.	Operating Voltage	Resistance at 20°C	Initial Current Draw	Power	Coil Weight
4306112	4305912	4305862	4305872	12 VDC	8.8 ohms	1.4 amps	17.2 watts	136 g. (4.8 oz.)
4306124	4305924	4305864	4305874	24 VDC	33.8 ohms	0.7 amps	16.6 watts	136 g. (4.8 oz.)

* Models with Zener Diode

Note: Electrical specifications for Series E coils differ from those for standard HydraForce coils. (Refer to page 3.200.1 for standard coil specifications.)

