

# Flow Control Valves

## NV1-10

Needle valve, Fully Adjustable, Fine Metering

210 bar [3000 psi] • 45 l/min [12 US gpm]

www:

e-mail:

shop/sklep:

www.salushydraulics.pl

pl@salushydraulics.pl

www.salushydraulics.pl/sklep/



### DESCRIPTION AND OPERATION

This needle valve with fine metering is a variable orifice used to create a pressure drop when flow passes from port 1 to 2 or port 2 to 1. Clockwise rotation of the adjustment screw decreases the flow setting until it is completely closed.

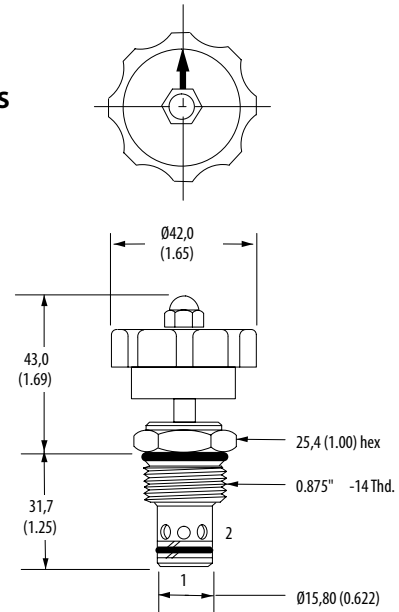
### SCHEMATIC



565590, NV1-10-K-0

### DIMENSIONS

mm [in]

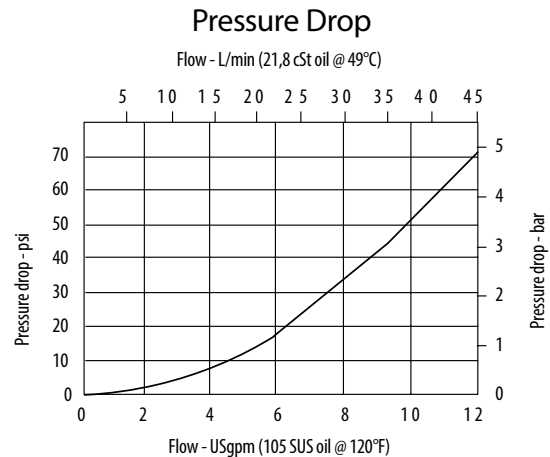


Installation Torque:  
47-54 Nm [35-40 ft. lbs]

### PERFORMANCE DATA

Rated pressure	210 bar [3000 psi]
Rated flow	45 l/min [12 US gpm]
Leakage	5 drops/min @ 210 bar [3000 psi]
Weight	0.11 kg [0.24 lb]
Cavity	SDC10-2

### PERFORMANCE CURVES



### MODEL CODE

NV1 - 10 - V - K - 0

#### Seal Option

Code	Seal Kit
Omit - Buna - N	565806
V - Viton	889627

#### Adjustment Option

K - Knob [black]  
R - Knob [red]

#### Housing

Code	Ports	Aluminium Standard duty	Aluminium Heavy duty
0	No housing		
3B	3/8" BSP	02-175462	-
6T	#6 SAE	566151	-
2G	1/4" BSP	-	876702
3G	3/8" BSP	-	876703
6H	#6 SAE	-	876700
8H	#8 SAE	-	876701

\* Aluminium bodies are to be used for pressures less than 210 bar [3000 psi].  
\* Additional housings available