



Overview

6356024

www:

www.salushydraulics.pl

e-mail:

pl@salushydraulics.pl

Description

shop/sklep:

www.salushydraulics.pl/sklep/

Magnet wire wound on a molded 30% glass filled bobbin framed in steel and encapsulated with 30% glass filled polyester resin. Coil impregnated with anerobic sealant.

Ratings

Properties

Magnet wire	U.S. class H 180 °C (356 °F) minimum rating
Mating connector	DT06-2S-P012 - Note: DEUTSCH DT04-2P DELPHI/PACKARD number 12010973 - Note: Weather-Pack 2 terminal male, lead wires 18 AWG

Electrical Parameters

Coil resistance at 20 °C (68 °F)	4.83 ohm ±3%	- Note: 10 Vdc coil
	7.2 ohm ±3%	- Note: 12 Vdc coil
	19.0 ohm ±5%	- Note: 20 Vdc coil
	28.8 ohm ±5%	- Note: 24 Vdc coil
	64.8 ohm ±5%	- Note: 36 Vdc coil
	568 ohm	- Note: 115 Vdc coil
Coil initial current draw	2304 ohm	- Note: 230 Vdc coil
	2.07 A	- Note: 10 Vdc coil
	1.67 A	- Note: 12 Vdc coil
	1.05 A	- Note: 20 Vdc coil
	0.83 A	- Note: 24 Vdc coil
	0.56 A	- Note: 36 Vdc coil
Coil initial power consumption	0.17 A	- Note: 115 Vac coil
	0.09 A	- Note: 230 Vac coil
	20 W	

Bidirectional Zener Diode Parameters

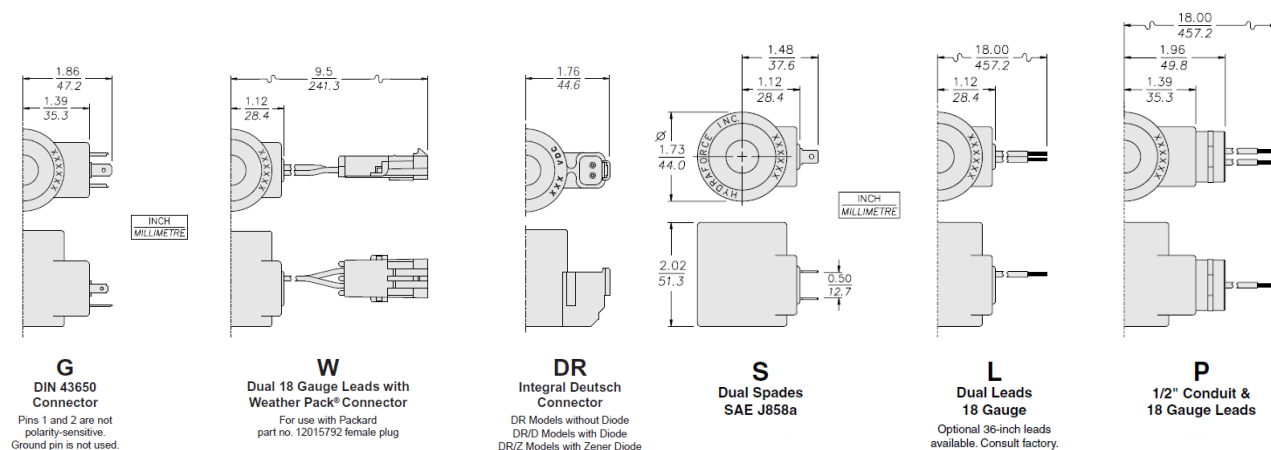
Maximum clamping voltage	45.7 V	- Note: 12 Vdc coil
	64.8 V	- Note: 24 Vdc coil
Maximum peak pulse current	13.2 A	- Note: 12 Vdc coil
	9.3 A	- Note: 24 Vdc coil
Reverse standoff voltage	28.2 V	- Note: 12 Vdc coil
	40.2 V	- Note: 24 Vdc coil
Maximum reverse leakage	5.0 µA	- Note: 12, 24 Vdc coil
Breakdown voltage	31.4 to 34.7 V	- Note: 12 Vdc coil
	44.7 to 49.4 V	- Note: 24 Vdc coil
Diode part number	6110163	- Note: 12 Vdc coil (ref)
	4000063	- Note: 24 Vdc coil (ref)

Unidirectional Diode Parameters

Average forward current	3.0 A	- Note: Maximum, 12 Vdc coil
	1 A	- Note: Maximum, 24 Vdc coil
Maximum repetitive peak reverse voltage	50 V	- Note: 12 Vdc coils
	400 V	- Note: 24 Vdc coils



Dimensions



Coil Part Numbers

Model code	Part no.	Voltage	Connector	IP rating	Diode
24AG	6366024	24	DIN 43650		
115AG	6366115	115	DIN 43650		
230AG	6366230	230	DIN 43650		
24AP	6365024	24	1/2-14 NPT internal thread		
115AP	6365115	115	1/2-14 NPT internal thread		
230AP	6365230	230	1/2-14 NPT internal thread		
10DG	6356010	10	DIN 43650		
12DG	6356012	12	DIN 43650		
24DG	6356024	24	DIN 43650		
10DL	6352010	10	Dual leads/no connector		
12DL	6352012	12	Dual leads/no connector		
12DL	6357012	12	Dual leads/no connector		
24DL	6352024	24	Dual leads/no connector		
12DL/W	6359412	12	Dual leads/no connector		
24DL/W	6359424	24	Dual leads/no connector		
12DL/W/D	6359732	12	Dual leads/no connector		Ultra-fast diode
24DL/W/D	6359739	24	Dual leads/no connector		Ultra-fast diode
24DP	6355024	24	1/2-14 NPT internal thread		
12DR	4301612	12	Deutsch DT04-2P		
24DR	4301624	24	Deutsch DT04-2P		
10DR/D	4301891	10	Deutsch DT04-2P		Ultra-fast diode
12DR/D	4301892	12	Deutsch DT04-2P		Ultra-fast diode
20DR/D	4301893	20	Deutsch DT04-2P		Ultra-fast diode
24DR/D	4301894	24	Deutsch DT04-2P		Ultra-fast diode
12DR/Z	4301862	12	Deutsch DT04-2P		Bidirectional zener diode
10DS	6351010	10	Dual spade		
12DS	6351012	12	Dual spade		
20DS	6351020	20	Dual spade		
24DS	6351024	24	Dual spade		
36DS	6351036	36	Dual spade		