

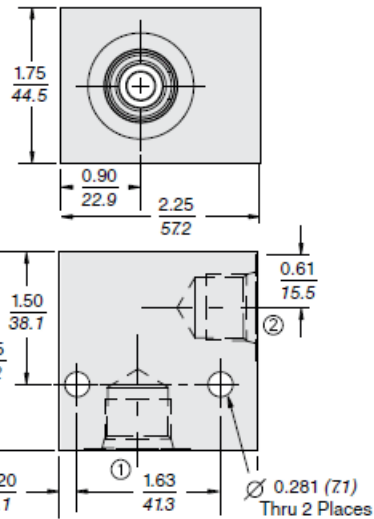


Ratings

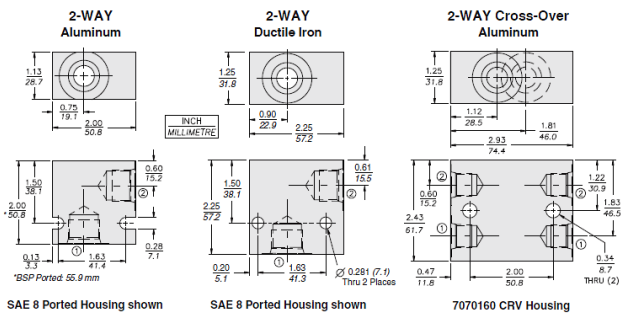
7028630	Pressure rating	207 bar (3000 psi) Aluminum	- Note:		
		345 bar (5000 psi) Ductile iron	- Note:	www:	www.salushydraulics.pl
	Material	6061-T6511 Aluminum	- Note:	e-mail:	pl@salushydraulics.pl
		Dura-bar	- Note: Ductile iron	shop/sklep:	www.salushydraulics.pl/sklep/

Dimensions

2-WAY H-Series Ductile Iron



SAE 8 Ported Housing shown



SAE 8 Ported Housing shown

SAE 8 Ported Housing shown

7070160 CRV Housing

Part Numbers

Part no.	Model code	Material	Port 1	Port 2	Port 3	Port 4	Port 5	Port 6	Mfg. loc.	Note
7028620	2B	Aluminum	1/4" BSP	1/4" BSP					U.K.	
7028630	3B	Aluminum	3/8" BSP	3/8" BSP					U.K.	
7024640	4T	Aluminum	SAE 4	SAE 4					U.S.	
7024660	6T	Aluminum	SAE 6	SAE 6					U.S.	
7070160	6T	Aluminum	SAE 6 (2)	SAE 6 (2)					U.S.	
7024680	8T	Aluminum	SAE 8	SAE 8					U.S.	
7151050	3BD	Ductile iron	3/8" BSP	3/8" BSP					U.K.	
7151010	6TD	Ductile iron	SAE 6	SAE 6					U.S.	
7151020	8TD	Ductile iron	SAE 8	SAE 8					U.S.	