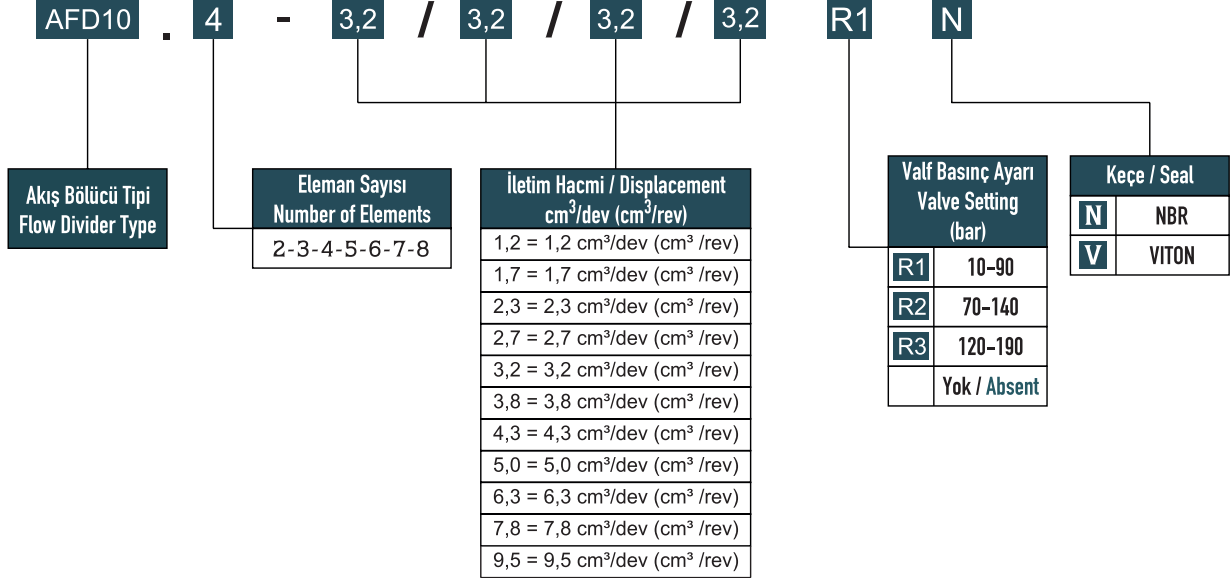


GRUP 10 AKIŞ BÖLÜCÜLERİN KODLAMA SİSTEMİ
ORDERING CODE OF GROUP 10 FLOW DIVIDERS



- Kodlama Örneği (Eşit iletim hacmi) ; AFD10.3-3,2N
Code Example (Same displacement)

- Kodlama Örneği (Farklı iletim hacmi) ; AFD10.3-3,2/2,7/2,3N
Code Example (Different displacement)

TEKNİK ÖZELLİKLER / TECHNICAL DATA

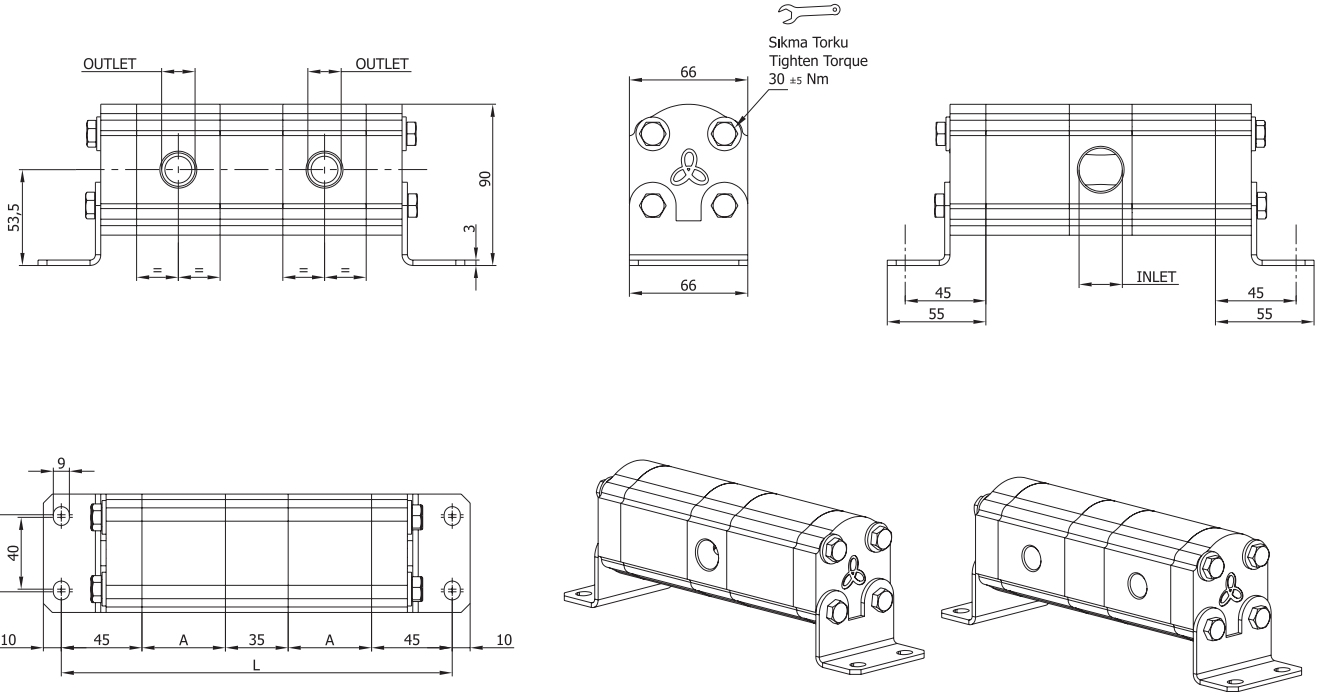
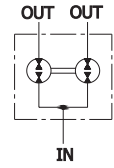
Tipi Type	İletim Hacmi Displacement cm ³ /dev	Maks. Basınç / Max. Pressure		ΔP bar	Maks. Hız Max. Speed d/d (rpm)	Min. Hız Min. Speed	Min. Debi Min. Flow Rate		Maks. Debi Maks. Flow Rate	
		P1 bar	P3 bar				lt/dk (l/min)		lt/dk (l/min)	
AFD10.X.1,2N	1,2	220	280	40	3500	1200	1,5	4,2	37,5	112,5
AFD10.X.1,7N	1,7						2,0	6,0		
AFD10.X.2,3N	2,3						2,8	8,0		
AFD10.X.2,7N	2,7						3,2	9,5		
AFD10.X.3,2N	3,2				3,8		10,8			
AFD10.X.3,8N	3,8				4,6		11,4			
AFD10.X.4,3N	4,3				5,2		12,9			
AFD10.X.5,0N	5,0				6,0		15,0			
AFD10.X.6,3N	6,3	210	260	3000		7,6	18,9			
AFD10.X.7,8N	7,8					9,4	23,4			
AFD10.X.9,5N	9,5					11,4	28,5			

P1 : Sürekli çalışma basıncı
Continuous pressure

P3 : Ani basınç
Peak pressure

GİRİŞ PORTUNDAN GEÇEBİLECEK MAKS. DEBİ
MAX. FLOW FOR INLET SECTION

37,5 lt/dk (l/min)



Tipi Type	cm ³ /dev (cm ³ /rev)	A	Giriş Inlet	Çıkış Outlet	(L) Boyu - Length						
					2	3	4	5	6	7	8
AFD10.X.1,2N	1,2	39	G 1/2"	G 3/8"	203,0	277,0	351,0	425,0	499,0	573,0	647,5
AFD10.X.1,7N	1,7	41			207,0	283,0	359,0	435,0	511,0	587,0	663,5
AFD10.X.2,3N	2,3	43			211,0	289,0	367,0	443,0	523,0	601,0	679,5
AFD10.X.2,7N	2,7	45			215,0	295,0	375,0	455,0	535,0	615,0	695,5
AFD10.X.3,2N	3,2	46,5			218,0	300,0	381,5	463,0	545,0	626,5	708,0
AFD10.X.3,8N	3,8	49			223,0	307,0	391,0	475,0	559,0	643,0	727,5
AFD10.X.4,3N	4,3	51			227,0	313,0	399,0	485,0	571,0	657,0	743,5
AFD10.X.5,0N	5,0	54			233,0	322,0	411,0	500,0	589,0	678,0	767,5
AFD10.X.6,3N	6,3	59			243,0	337,0	431,0	525,0	619,0	713,0	807,5
AFD10.X.7,8N	7,8	65			255,0	355,0	455,0	555,0	655,0	755,0	855,5
AFD10.X.9,5N	9,5	72			269,0	376,0	483,0	590,0	697,0	804,0	911,5

Eleman Sayısı - Number of Elements	2	3	4	5	6	7	8
Giriş Port Sayısı - Number of Inlets	1	1	2	2	3	3	4