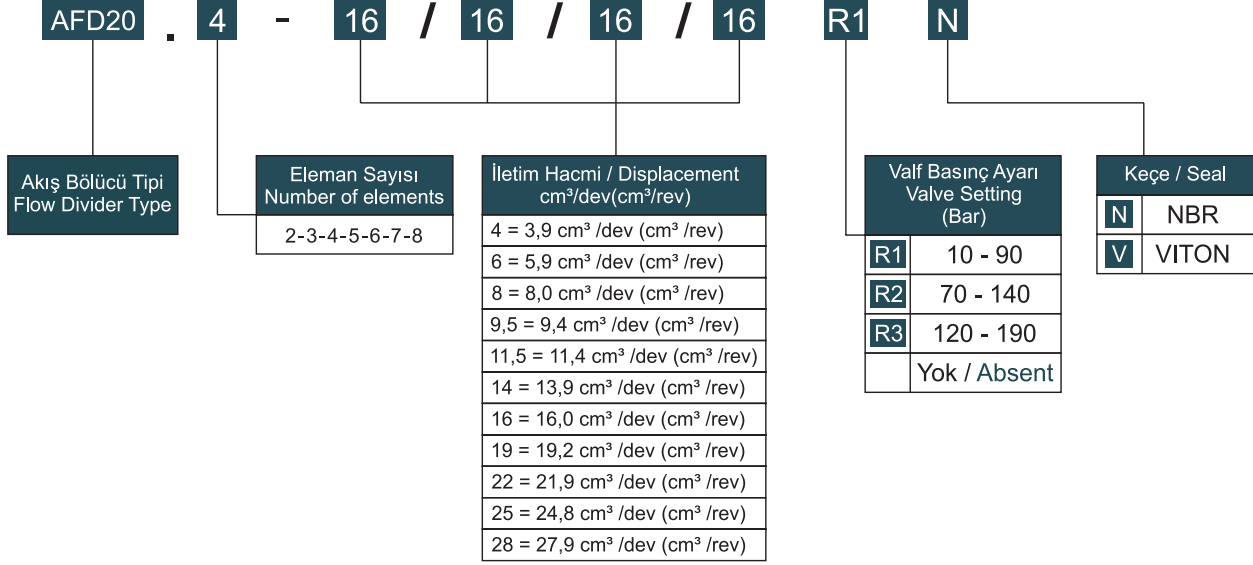


GRUP 20 AKIŞ BÖLÜCÜLERİN KODLAMA SİSTEMİ
ORDERING CODE OF GROUP 20 FLOW DIVIDERS



- Kodlama Örneği (Same displacement) ; AFD20.3-16N
Code Example (Same displacement)

- Kodlama Örneği (different displacement) ; AFD20.3-16/14/11,5N
Code Example (Different displacement)

TEKNİK ÖZELLİKLER / TECHNICAL DATA

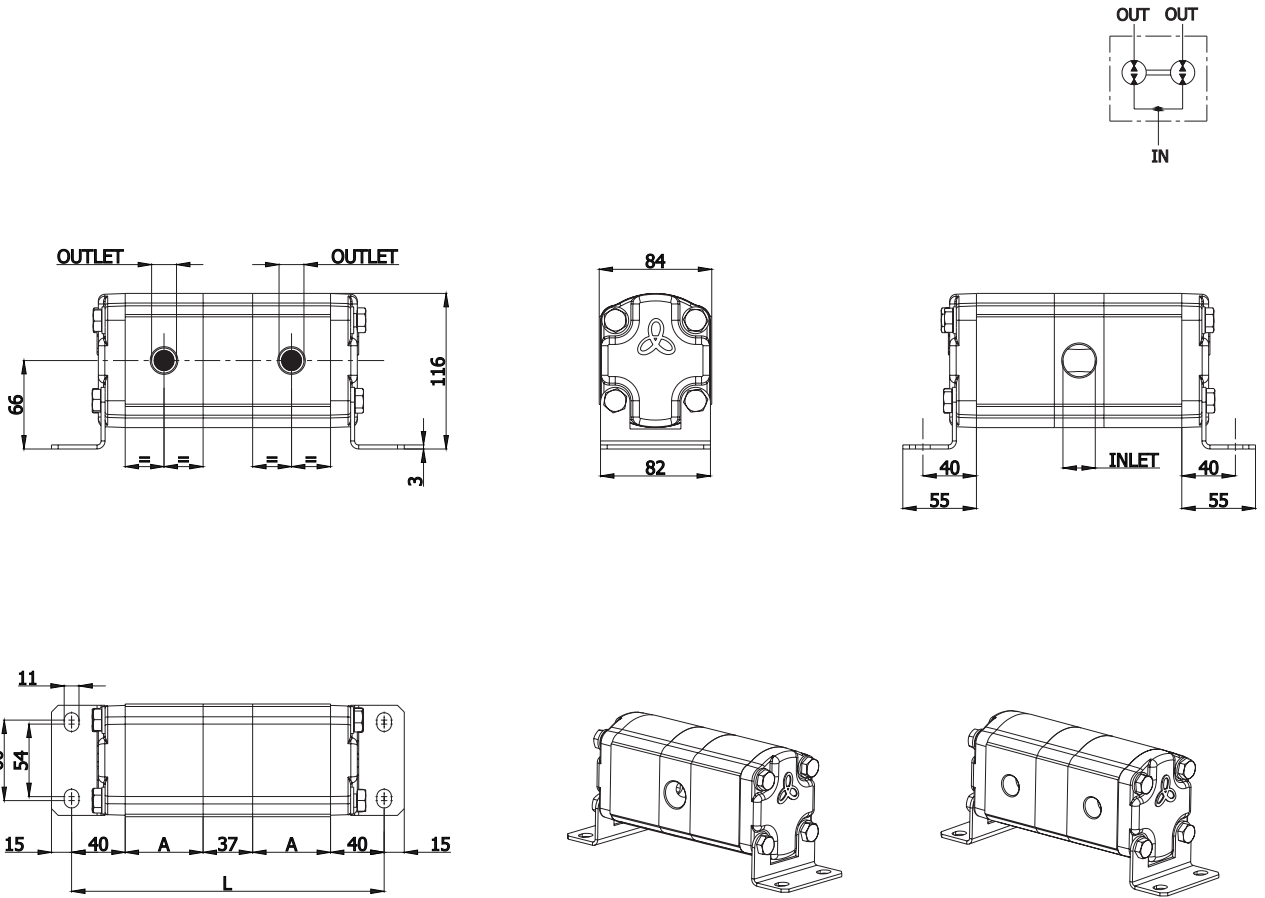
Tipi Type	İletim Hacmi Displacement cm ³ /dev (cm ³ /rev)	Maks. Basınç / Max. Pressure		ΔP bar	Maks. Hız Max. Speed d/d (rpm)	Min. Hız Min. Speed	Min. Debi Min. Flow Rate lt/dk (l/min)	Maks. Debi Maks. Flow Rate
		P1	P3					
		bar						
AFD20.X.4N	3,9	250	280	50	3000	1250	4,8	11,2
AFD20.X.6N	5,9							
AFD20.X.8N	8,0							
AFD20.X.9,5N	9,4							
AFD20.X.11,5N	11,4	230	260	40	2750	1200	11,2	24,6
AFD20.X.14N	13,9							
AFD20.X.16N	16,0							
AFD20.X.19N	19,2							
AFD20.X.22N	21,9	190	220	30	2500	1100	19,2	38,0
AFD20.X.25N	24,8							
AFD20.X.28N	27,9							
		170	200		2000		22,0	46,0
		160	190				25,2	47,8
							28,5	52,0
							32,0	54,7

P1: Sürekli çalışma basıncı
Continuous pressure

P3 : Ani basınç
Peak pressure

GİRİŞ PORTUNDAN GEÇEBİLECEK MAKS. DEBİ
MAX. FLOW FOR INLET SECTION

80 lt/dk (l/min)



Tipi Type	cm ³ /dev (cm ³ /rev)	A	Giriş Inlet	Çıkış Outlet	(L) Boyu - Length						
					2	3	4	5	6	7	8
AFD20.X.4N	3,9	46,5	G 3/4"	G 1/2"	210,0	293,5	377,0	460,5	544,0	627,4	710,8
AFD20.X.6N	5,9	49,5			216,0	302,5	389,0	475,5	562,0	648,5	735,0
AFD20.X.8N	8,0	52,5			222,0	311,5	401,0	490,5	580,0	669,6	759,2
AFD20.X.9,5N	9,4	55,0			227,0	319,0	411,0	503,0	595,0	686,9	778,8
AFD20.X.11,5N	11,4	58,0			233,0	328,0	423,0	518,0	613,0	708,1	803,2
AFD20.X.14N	13,9	62,0			241,0	340,0	439,0	538,0	637,0	736,0	835,0
AFD20.X.16N	16,0	65,0			247,0	349,0	451,0	553,0	655,0	757,2	859,4
AFD20.X.19N	19,2	82,0			281,0	400,0	519,0	638,0	757,0	876,2	995,4
AFD20.X.22N	21,9	86,5			290,0	413,5	537,0	660,5	784,0	907,5	1031,0
AFD20.X.25N	24,8	91,6			300,0	429,0	557,5	686,0	815,0	943,6	1072,2
AFD20.X.28N	27,9	96,0			309,0	442,0	575,0	708,0	841,0	973,9	1106,9

Eleman Sayısı - Number of Elements	2	3	4	5	6	7	8
Giriş Port Sayısı - Number of Inlets	1	1	2	2	3	3	4