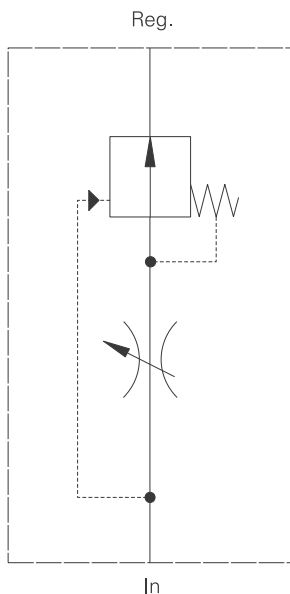


FC-1 - Flow control

Pressure compensated, restrictive type, full range adjustable
Up to 36 L/min (9 USgpm) • 210 bar (3000 psi)

www: www.salushydraulics.pl
e-mail: pl@salushydraulics.pl
shop/sklep: www.sklep.salushydraulics.pl

Eaton FC-1-A



Operation

This standard valve package is used in a circuit where flow rates must be constantly maintained, regardless of changes in upstream or downstream pressure.

Also where a full range of flow adjustments is required.

Features

Pressure compensation, full flow range adjustment, aluminum in-line type housing, Screw and knob adjustment options. All components in the package are true cartridges and can be removed from the housing without disturbing the plumbing.

Performance data

Ratings and specifications

Performance data is typical with fluid at 21,8 cST (105 SUS) and 49° C (120°F)

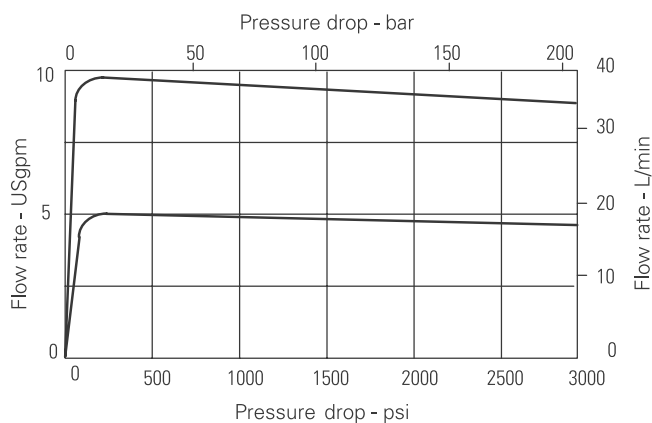
Typical application pressure (all ports)	210 bar (3000 psi)
Maximum regulated flow	Up to 36 L/min (9 USgpm)
Temperature range	-40° to 120°C (-40° to 248°F)
Fluids	All general purpose hydraulic fluids such as: MIL-H-5606, SAE 10, SAE 20, etc.

Viton is a registered trademark of E. I. DuPont

Description

Full range adjustable restrictive pressure compensated flow control package

Performance characteristics

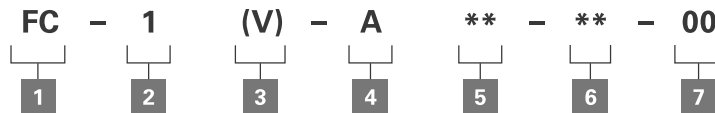


Where measurements are critical request certified drawings. We reserve the right to change specifications without notice.

FC-1 - Flow control

Pressure compensated, restrictive type, full range adjustable
Up to 36 L/min (9 USgpm) • 210 bar (3000 psi)

Model code



1 Function

FC - Fully adjustable pressure compensated flow control

2 Maximum rated flow

1 - 34 L/min (9 USgpm)

3 Seal material

Blank - Buna-N

V - Viton®

Viton is a registered trademark of E. I. DuPont.

4 Valve housing material

A - Aluminum

5 Port size

Code	Port size	Housing number
4G	1/2" BSPP	02-178279
8T	SAE 8	02-178280

6 Adjustment type

Flow rate

K1 - Knob*	19 L/min (5 USgpm)
K2 - Knob	34 L/min (9 USgpm)
S1 - Screw	34 L/min (9 USgpm)
H1 - Handwheel	34 L/min (9 USgpm)

*180° rotation

7 Special features

00 - None

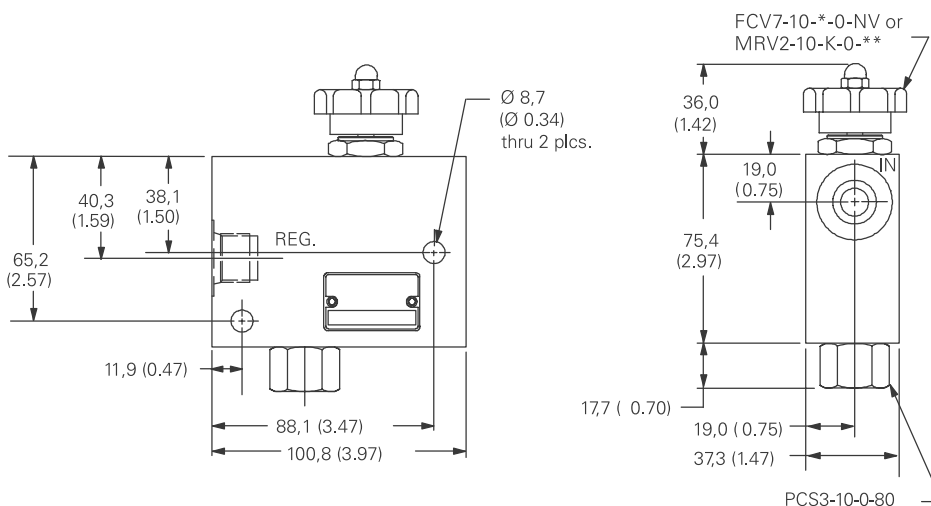
(Only required if valve has special features, omitted if "00".)

Composition chart

Adjustment	Cartridge	Description	Maximum flow
K1 Knob	MRV2-10-K-0-05	Flow restrictor, adjustable, semi-rotary spool	19 L/min (5 USgpm)
K2 - Knob	MRV2-10-K-0-10	Flow restrictor, adjustable, semi-rotary spool	34 L/min (9 USgpm)
S1 - Screw	FCV7-10-S-0-NV	Flow restrictor, adjustable, needle type	34 L/min (9 USgpm)
H1 - Hand Knob	FCV7-10-K-0-NV	Flow restrictor, adjustable, needle type	34 L/min (9 USgpm)
-	PCS3-10-0-80	Pressure compensator, spool type	40 L/min (12 USgpm)

Dimensions

mm (inch)



Where measurements are critical request certified drawings. We reserve the right to change specifications without notice.