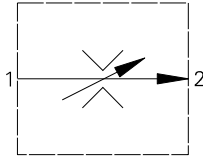


FR2-10 - Flow regulator

Limited range, adjustable pressure compensated
38 L/min (10 USgpm) • 210 bar (3000 psi)

www: www.salushydraulics.pl
e-mail: pl@salushydraulics.pl
shop/sklep: www.sklep.salushydraulics.pl

Eaton FR2-10



Operation

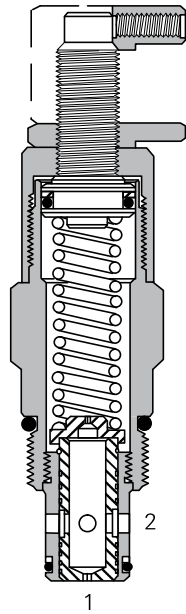
This valve maintains a constant flow from port 1 to port 2 based on the setting adjustment, regardless of pressure changes downstream on port 2.

Reverse flow from port 2 to port 1 is at the value of the fixed orifice and is non-pressure compensated.

Features

Hardened and ground and honed working components. Cartridge construction for maximum mounting flexibility.

Sectional view



Performance data

Ratings and specifications

Performance data is typical with fluid at 21,8 cSt (105 SUS) and 49°C (120°F)

Typical application pressure (all ports)	210 bar (3000 psi)
Cartridge fatigue pressure (infinite life)	210 bar (3000 psi)
Rated flow	38 L/min (10 USGpm)
Temperature range	-40° to 120°C (-40° to 248°F)
Flow regulation accuracy	0,4–1,9 L/min (0,1–0,49 USgpm) ±20% 1,9–7,5 L/min (0,5–1,99 USgpm) ±15% 7,6–37,8 L/min (2,0–10,0 USgpm) ±10%
Factory set maximum flow rate accuracy under standard test conditions and within the above ranges	
Cavity	C-10-2
Fluids	All general purpose hydraulic fluids such as: MIL-H-5606, SAE 10, SAE 20 etc.
Filtration	Cleanliness code 18/16/13
Standard housing material	Aluminum
Weight cartridge only	0,22 kg (.48 lbs)
Seal kit	565803 (Buna-N), 566086 (Viton®)

Viton is a registered trademark of E.I. DuPont

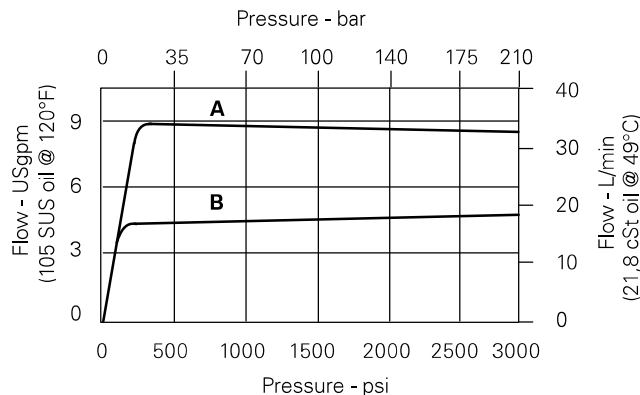
Description

This valves is a limited range adjustable, pressure compensated, screw-in flow regulator cartridge valve.

The flow adjustment is from the factory set maximum flow rate down to 50% of that factory set flow rate.

Typical flow regulation

Cartridge only



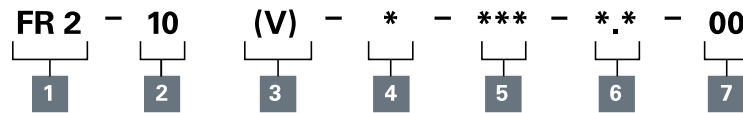
A - 38,0 L/min (10.0 USgpm)
B - 19,0 L/min (5.0 USgpm)

Where measurements are critical request certified drawings. We reserve the right to change specifications without notice.

FR2-10 - Flow regulator

Limited range, adjustable pressure compensated
38 L/min (10 USgpm) • 210 bar (3000 psi)

Model code



1 Function

FR2 - Flow regulator

2 Size

10 - 10 Size

3 Seal material

Blank - Buna-N
V - Viton®

4 Adjustment

C - Cap
F - Factory-set
I - Internal
K - Knob
S - Screw

5 Port size

Code	Port size	Housing number	
		Aluminium light duty	Aluminium fatigue rated
0	Cartridge only		
3B	3/8" BSPP	02-175462	-
6T	SAE 6	566151	-
2G	1/4" BSPP	-	876702
3G	3/8" BSPP	-	876703
6H	SAE 6	-	876700
8H	SAE 8	-	876701

See section J for housing details.

6 Factory set flow rate,

(Specify in USgpm)
Range 0,38–22,7 L/min
(0.1–10.0 USgpm)

7 Special features

00 - None
(Only required if valve has special features, omitted if "00")

SS - 316 Stainless steel external components

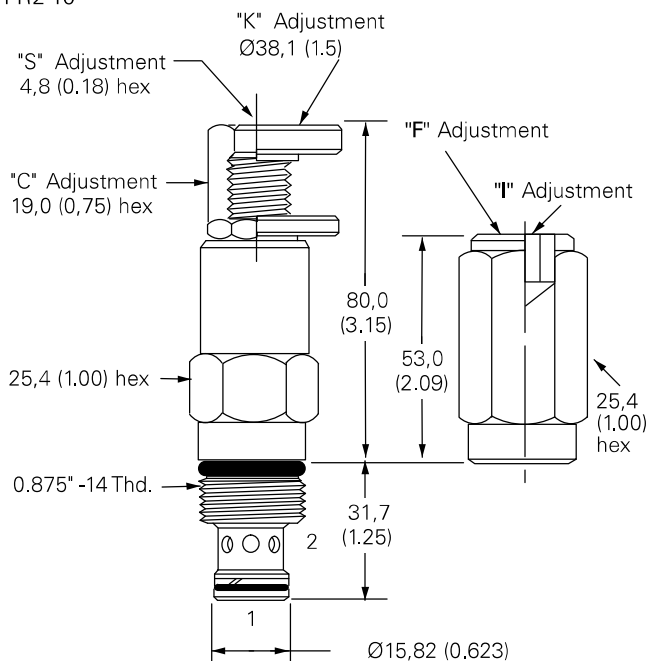
Dimensions

mm (inch)

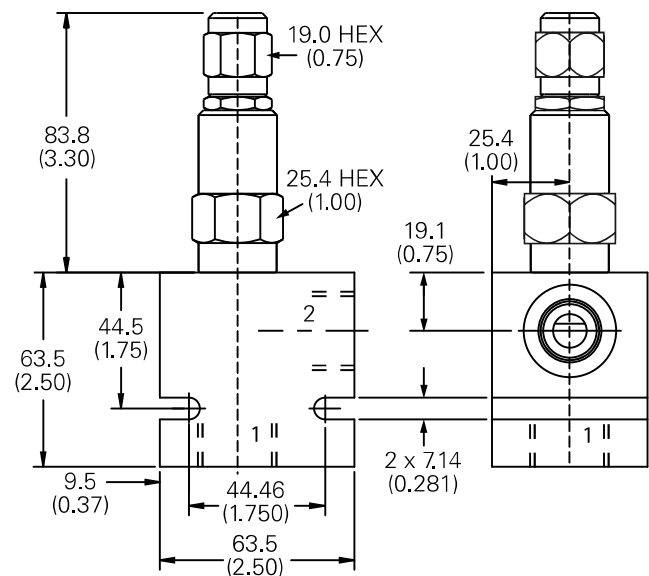
Torque cartridge in aluminum housing to 47-54 Nm (35-40 ft lbs)

Cartridge

Basic code
FR2-10



Installation drawing



Where measurements are critical request certified drawings. We reserve the right to change specifications without notice.