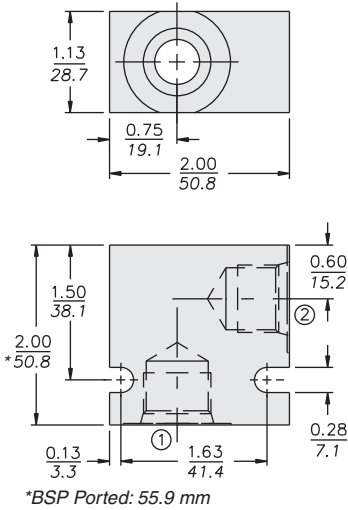


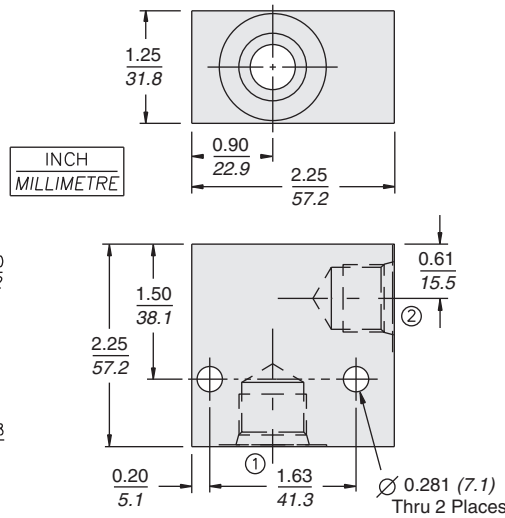
Series 08 Valve Housings

**2-WAY
Aluminum**



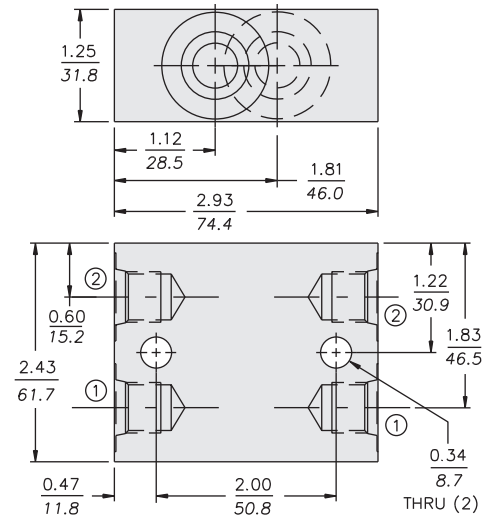
SAE 8 Ported Housing shown

**2-WAY
Ductile Iron**



SAE 8 Ported Housing shown

**2-WAY Cross-Over
Aluminum**



7070160 CRV Housing

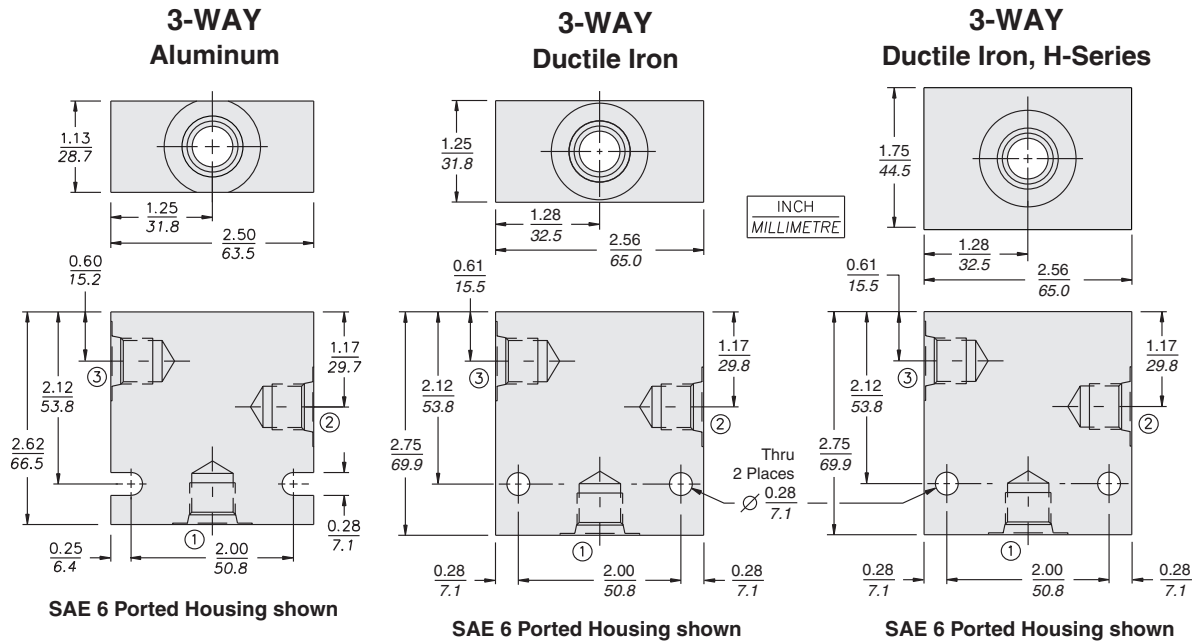
Blue Rectangles are links to CAD .stp files.

SERIES 08 2-WAY HOUSINGS					
Code	Part No.	Material	Port 1	Port 2	Mfg. Loc.
4T	7024640	Alum.	SAE 4	SAE 4	U.S.
6T	7024660	Alum.	SAE 6	SAE 6	U.S.
8T	7024680	Alum.	SAE 8	SAE 8	U.S.
2B	7028620	Alum.	1/4" BSP	1/4" BSP	U.K.
3B	7028630	Alum.	3/8" BSP	3/8" BSP	U.K.
6TD	7151010	Duct. Iron	SAE 6	SAE 6	U.S.
8TD	7151020	Duct. Iron	SAE 8	SAE 8	U.S.
3BD	7151050	Duct. Iron	3/8" BSP	3/8" BSP	U.K.

SERIES 08 2-WAY CROSS-OVER HOUSINGS					
Code	Part No.	Material	Port 1	Port 2	Mfg. Loc.
6T	7070160	Alum.	SAE 6 (2)	SAE 6 (2)	U.S.

HYDRAFORCE STANDARD VALVE HOUSINGS			
MATERIAL	OPERATING PRESSURE	PORTS	MFG. LOCATION
Aluminum	210 bar (3000 psi)	SAE	U.S.
Aluminum	210 bar (3000 psi)	BSP	U.K.
Ductile Iron	350 bar (5000 psi)	SAE	U.S.
Ductile Iron	350 bar (5000 psi)	BSP	U.K.

Series 08 Valve Housings



Blue Rectangles are links to CAD .stp files.

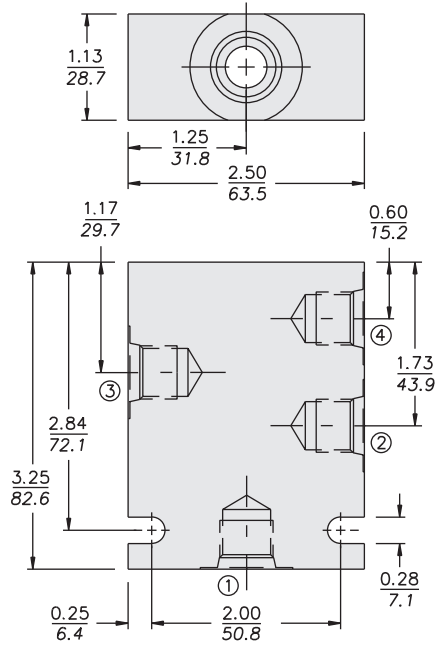
SERIES 08 3-WAY HOUSINGS						
Code	Part No.	Material	Port 1	Port 2	Port 3	Mfg. Loc.
4T	7024740	Alum.	SAE 4	SAE 4	SAE 4	U.S.
6T	7024760	Alum.	SAE 6	SAE 6	SAE 6	U.S.
3B	7028730	Alum.	3/8" BSP	3/8" BSP	3/8" BSP	U.K.
6TD	7151110	Duct. Iron	SAE 6	SAE 6	SAE 6	U.S.
8TD	7151120	Duct. Iron	SAE 8	SAE 8	SAE 8	U.S.
3BD	7151150	Duct. Iron	3/8" BSP	3/8" BSP	3/8" BSP	U.K.

SERIES 08 3-WAY H-SERIES HOUSINGS						
Code	Part No.	Material	Port 1	Port 2	Port 3	Mfg. Loc.
6HT	7160110	Duct. Iron	SAE 6	SAE 6	SAE 6	U.S.
8HT	7160120	Duct. Iron	SAE 8	SAE 8	SAE 8	U.S.
3HB	7160150	Duct. Iron	3/8" BSP	3/8" BSP	3/8" BSP	U.K.

HYDRAFORCE STANDARD VALVE HOUSINGS			
MATERIAL	OPERATING PRESSURE	PORTS	MFG. LOCATION
Aluminum	210 bar (3000 psi)	SAE	U.S.
Aluminum	210 bar (3000 psi)	BSP	U.K.
Ductile Iron	350 bar (5000 psi)	SAE	U.S.
Ductile Iron	350 bar (5000 psi)	BSP	U.K.

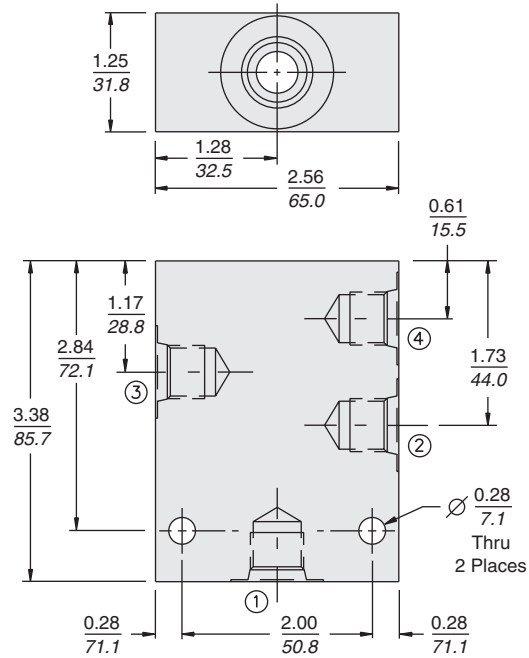
Series 08 Valve Housings

**4-WAY
Aluminum**



SAE 6 Ported Housing shown

**4-WAY
Ductile Iron**



SAE 6 Ported Housing shown

INCH
MILLIMETRE

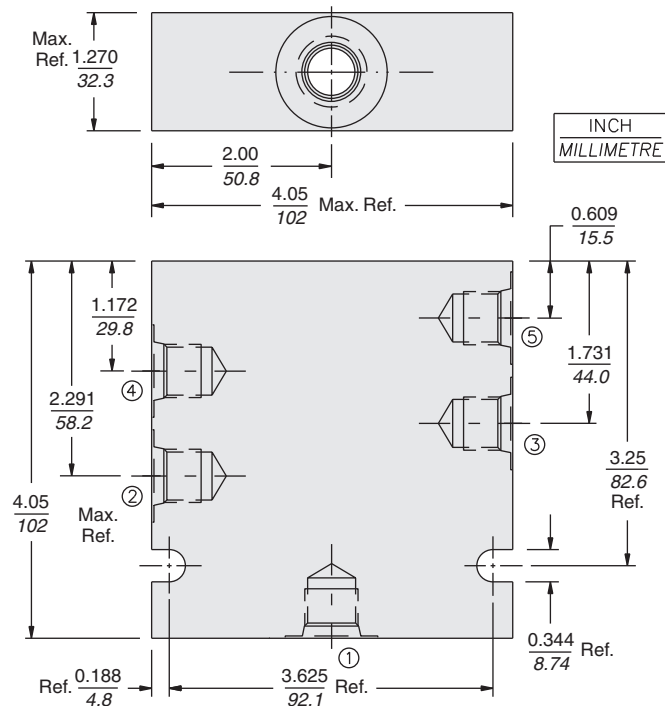
Blue Rectangles are links to CAD .stp files.

SERIES 08 4-WAY HOUSINGS							
Code	Part No.	Material	Port 1	Port 2	Port 3	Port 4	Mfg. Loc.
6T	7024860	Alum.	SAE 6	SAE 6	SAE 6	SAE 6	U.S.
3B	7028830	Alum.	3/8" BSP	3/8" BSP	3/8" BSP	3/8" BSP	U.K.
6TD	7151210	Duct. Iron	SAE 6	SAE 6	SAE 6	SAE 6	U.S.
8TD	7151220	Duct. Iron	SAE 8	SAE 8	SAE 8	SAE 8	U.S.
3BD	7151250	Duct. Iron	3/8" BSP	3/8" BSP	3/8" BSP	3/8" BSP	U.K.

HYDRAFORCE STANDARD VALVE HOUSINGS			
MATERIAL	OPERATING PRESSURE	PORTS	MFG. LOCATION
Aluminum	210 bar (3000 psi)	SAE	U.S.
Aluminum	210 bar (3000 psi)	BSP	U.K.
Ductile Iron	350 bar (5000 psi)	SAE	U.S.
Ductile Iron	350 bar (5000 psi)	BSP	U.K.

Series 08 Valve Housings

5-WAY Aluminum



SAE 6 Ported Housing Shown

Blue Rectangles are links to CAD .stp files.

SERIES 08 5-WAY HOUSINGS

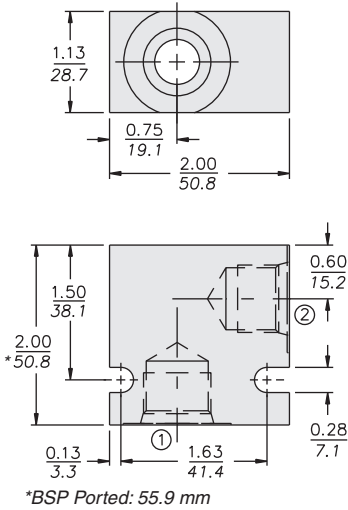
Code	Part No.	Material	Port 1	Port 2	Port 3	Port 4	Port 5	Mfg. Loc.
6T	7025860	Alum.	SAE 6	SAE 6	SAE 6	SAE 6	SAE 6	U.S.

HYDRAFORCE STANDARD VALVE HOUSINGS

MATERIAL	OPERATING PRESSURE	PORTS	MFG. LOCATION
Aluminum	210 bar (3000 psi)	SAE	U.S.
Aluminum	210 bar (3000 psi)	BSP	U.K.
Ductile Iron	350 bar (5000 psi)	SAE	U.S.
Ductile Iron	350 bar (5000 psi)	BSP	U.K.

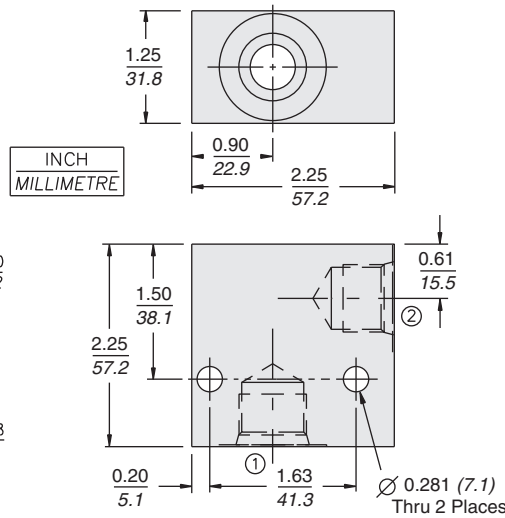
Series 08 Valve Housings

**2-WAY
Aluminum**



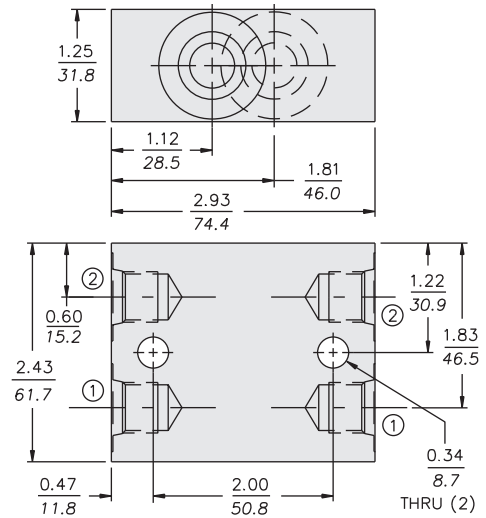
SAE 8 Ported Housing shown

**2-WAY
Ductile Iron**



SAE 8 Ported Housing shown

**2-WAY Cross-Over
Aluminum**



7070160 CRV Housing

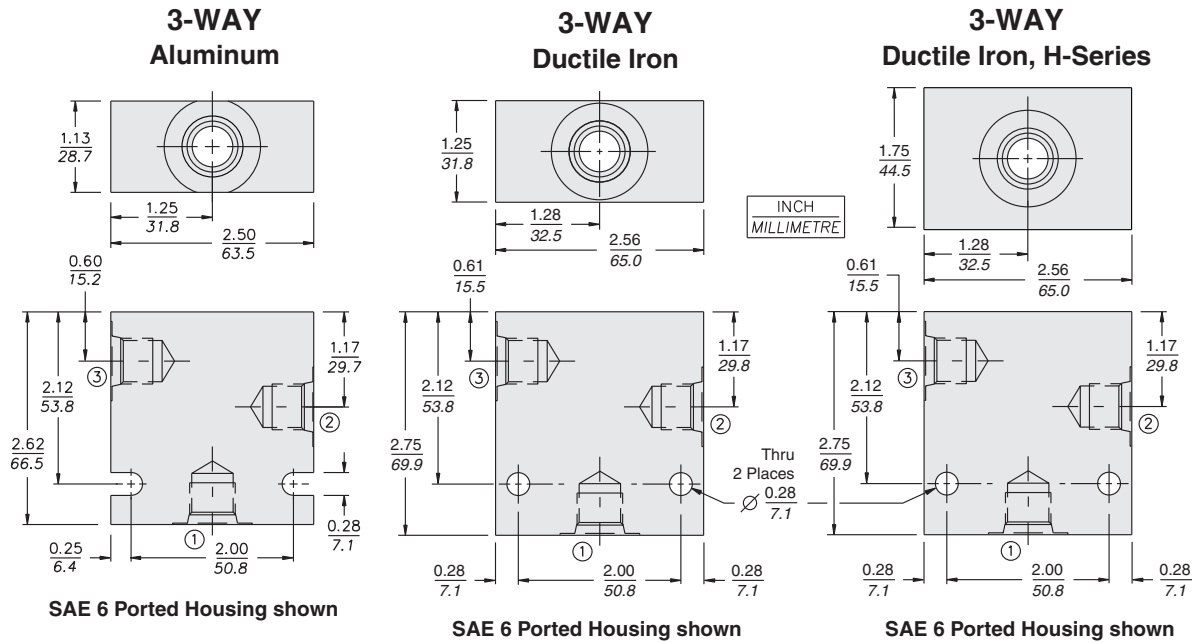
Blue Rectangles are links to CAD .stp files.

SERIES 08 2-WAY HOUSINGS					
Code	Part No.	Material	Port 1	Port 2	Mfg. Loc.
4T	7024640	Alum.	SAE 4	SAE 4	U.S.
6T	7024660	Alum.	SAE 6	SAE 6	U.S.
8T	7024680	Alum.	SAE 8	SAE 8	U.S.
2B	7028620	Alum.	1/4" BSP	1/4" BSP	U.K.
3B	7028630	Alum.	3/8" BSP	3/8" BSP	U.K.
6TD	7151010	Duct. Iron	SAE 6	SAE 6	U.S.
8TD	7151020	Duct. Iron	SAE 8	SAE 8	U.S.
3BD	7151050	Duct. Iron	3/8" BSP	3/8" BSP	U.K.

SERIES 08 2-WAY CROSS-OVER HOUSINGS					
Code	Part No.	Material	Port 1	Port 2	Mfg. Loc.
6T	7070160	Alum.	SAE 6 (2)	SAE 6 (2)	U.S.

HYDRAFORCE STANDARD VALVE HOUSINGS			
MATERIAL	OPERATING PRESSURE	PORTS	MFG. LOCATION
Aluminum	210 bar (3000 psi)	SAE	U.S.
Aluminum	210 bar (3000 psi)	BSP	U.K.
Ductile Iron	350 bar (5000 psi)	SAE	U.S.
Ductile Iron	350 bar (5000 psi)	BSP	U.K.

Series 08 Valve Housings



Blue Rectangles are links to CAD .stp files.

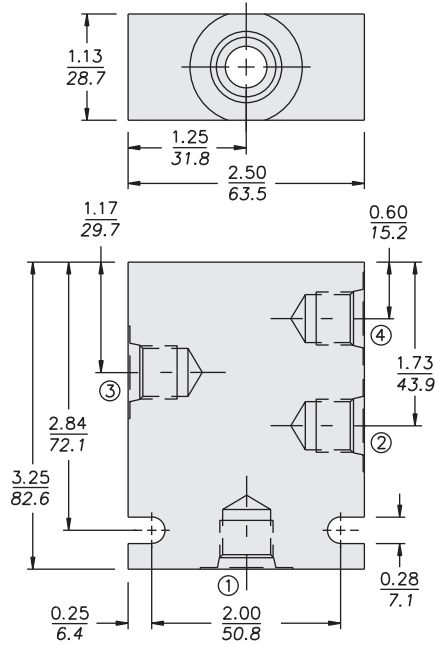
SERIES 08 3-WAY HOUSINGS						
Code	Part No.	Material	Port 1	Port 2	Port 3	Mfg. Loc.
4T	7024740	Alum.	SAE 4	SAE 4	SAE 4	U.S.
6T	7024760	Alum.	SAE 6	SAE 6	SAE 6	U.S.
3B	7028730	Alum.	3/8" BSP	3/8" BSP	3/8" BSP	U.K.
6TD	7151110	Duct. Iron	SAE 6	SAE 6	SAE 6	U.S.
8TD	7151120	Duct. Iron	SAE 8	SAE 8	SAE 8	U.S.
3BD	7151150	Duct. Iron	3/8" BSP	3/8" BSP	3/8" BSP	U.K.

SERIES 08 3-WAY H-SERIES HOUSINGS						
Code	Part No.	Material	Port 1	Port 2	Port 3	Mfg. Loc.
6HT	7160110	Duct. Iron	SAE 6	SAE 6	SAE 6	U.S.
8HT	7160120	Duct. Iron	SAE 8	SAE 8	SAE 8	U.S.
3HB	7160150	Duct. Iron	3/8" BSP	3/8" BSP	3/8" BSP	U.K.

HYDRAFORCE STANDARD VALVE HOUSINGS			
MATERIAL	OPERATING PRESSURE	PORTS	MFG. LOCATION
Aluminum	210 bar (3000 psi)	SAE	U.S.
Aluminum	210 bar (3000 psi)	BSP	U.K.
Ductile Iron	350 bar (5000 psi)	SAE	U.S.
Ductile Iron	350 bar (5000 psi)	BSP	U.K.

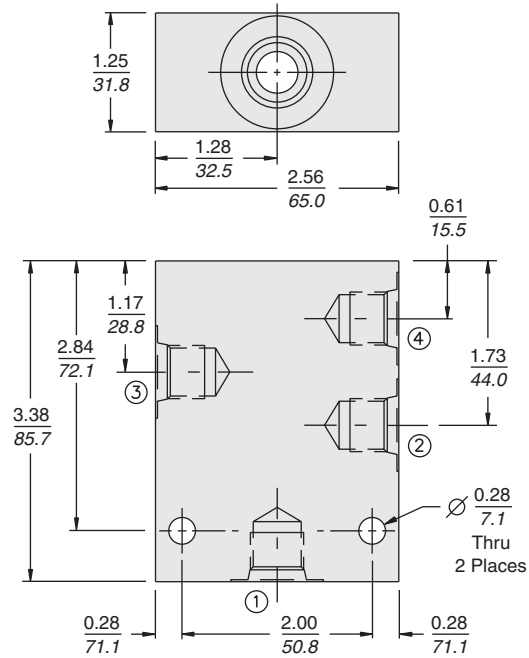
Series 08 Valve Housings

**4-WAY
Aluminum**



SAE 6 Ported Housing shown

**4-WAY
Ductile Iron**



SAE 6 Ported Housing shown

INCH
MILLIMETRE

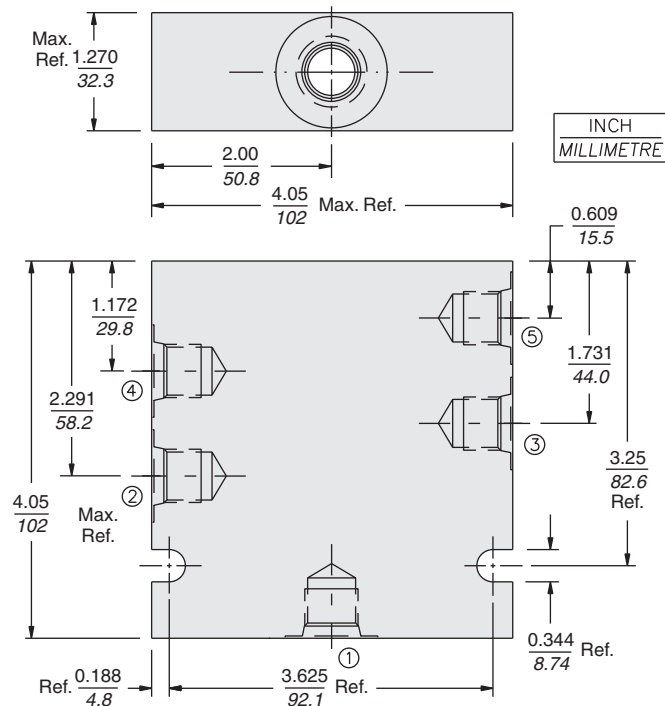
Blue Rectangles are links to CAD .stp files.

SERIES 08 4-WAY HOUSINGS							
Code	Part No.	Material	Port 1	Port 2	Port 3	Port 4	Mfg. Loc.
6T	7024860	Alum.	SAE 6	SAE 6	SAE 6	SAE 6	U.S.
3B	7028830	Alum.	3/8" BSP	3/8" BSP	3/8" BSP	3/8" BSP	U.K.
6TD	7151210	Duct. Iron	SAE 6	SAE 6	SAE 6	SAE 6	U.S.
8TD	7151220	Duct. Iron	SAE 8	SAE 8	SAE 8	SAE 8	U.S.
3BD	7151250	Duct. Iron	3/8" BSP	3/8" BSP	3/8" BSP	3/8" BSP	U.K.

HYDRAFORCE STANDARD VALVE HOUSINGS			
MATERIAL	OPERATING PRESSURE	PORTS	MFG. LOCATION
Aluminum	210 bar (3000 psi)	SAE	U.S.
Aluminum	210 bar (3000 psi)	BSP	U.K.
Ductile Iron	350 bar (5000 psi)	SAE	U.S.
Ductile Iron	350 bar (5000 psi)	BSP	U.K.

Series 08 Valve Housings

5-WAY Aluminum



SAE 6 Ported Housing Shown

Blue Rectangles are links to CAD .stp files.

SERIES 08 5-WAY HOUSINGS

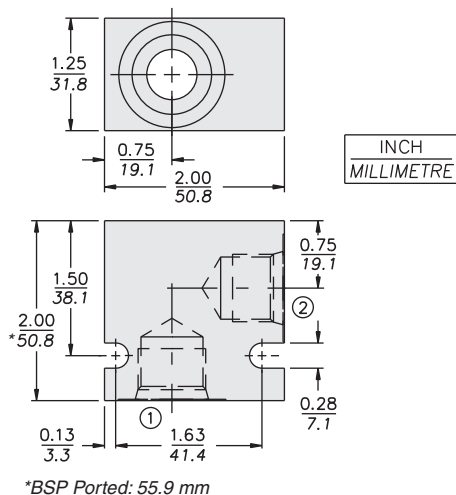
Code	Part No.	Material	Port 1	Port 2	Port 3	Port 4	Port 5	Mfg. Loc.
6T	7025860	Alum.	SAE 6	SAE 6	SAE 6	SAE 6	SAE 6	U.S.

HYDRAFORCE STANDARD VALVE HOUSINGS

MATERIAL	OPERATING PRESSURE	PORTS	MFG. LOCATION
Aluminum	210 bar (3000 psi)	SAE	U.S.
Aluminum	210 bar (3000 psi)	BSP	U.K.
Ductile Iron	350 bar (5000 psi)	SAE	U.S.
Ductile Iron	350 bar (5000 psi)	BSP	U.K.

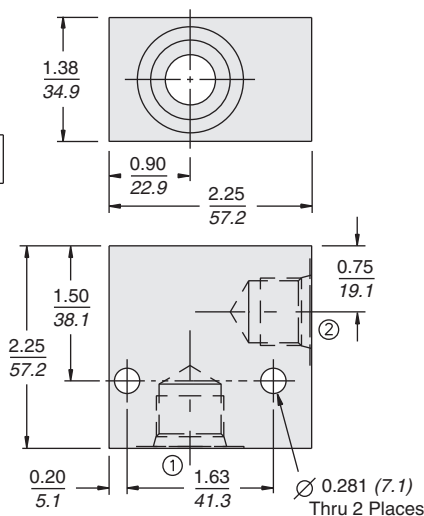
Series 10 Valve Housings

**2-WAY
Aluminum**



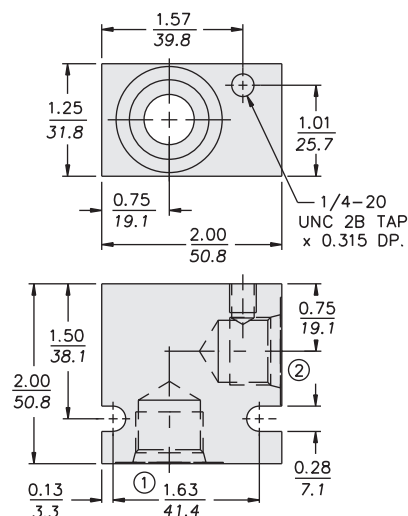
SAE 8 Ported Housing shown

**2-WAY
Ductile Iron**



SAE 8 Ported Housing shown

**2-WAY MR
Aluminum**



**7026180 – MR
For Lock-Down Bracket Use**

Blue Rectangles are links to CAD .stp files.

SERIES 10 2-WAY HOUSINGS					
Code	Part No.	Material	Port 1	Port 2	Mfg. Loc.
6T	7024260	Alum.	SAE 6	SAE 6	U.S.
8T	7024280	Alum.	SAE 8	SAE 8	U.S.
2B	7028220	Alum.	1/4" BSP	1/4" BSP	U.K.
3B	7028230	Alum.	3/8" BSP	3/8" BSP	U.K.
4B	7028240	Alum.	1/2" BSP	1/2" BSP	U.K.
6TD	7151400	Duct. Iron	SAE 6	SAE 6	U.S.
8TD	7151410	Duct. Iron	SAE 8	SAE 8	U.S.
3BD	7151440	Duct. Iron	3/8" BSP	3/8" BSP	U.K.
4BD	7151450	Duct. Iron	1/2" BSP	1/2" BSP	U.K.

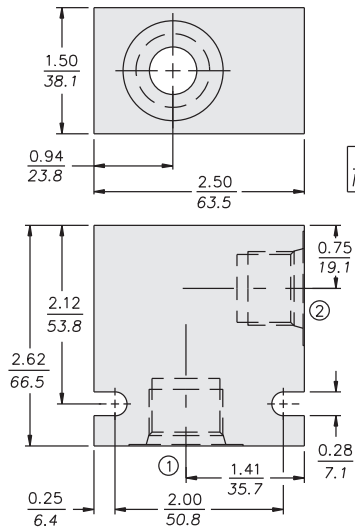
SERIES 10 2-WAY MR HOUSINGS					
Code	Part No.	Material	Port 1	Port 2	Mfg. Loc.
8TL	7026180	Alum.	SAE 8	SAE 8	U.S.*

*Drilled and tapped for lock-down bracket

HYDRAFORCE STANDARD VALVE HOUSINGS			
MATERIAL	OPERATING PRESSURE	PORTS	MFG. LOCATION
Aluminum	210 bar (3000 psi)	SAE	U.S.
Aluminum	210 bar (3000 psi)	BSP	U.K.
Ductile Iron	350 bar (5000 psi)	SAE	U.S.
Ductile Iron	350 bar (5000 psi)	BSP	U.K.

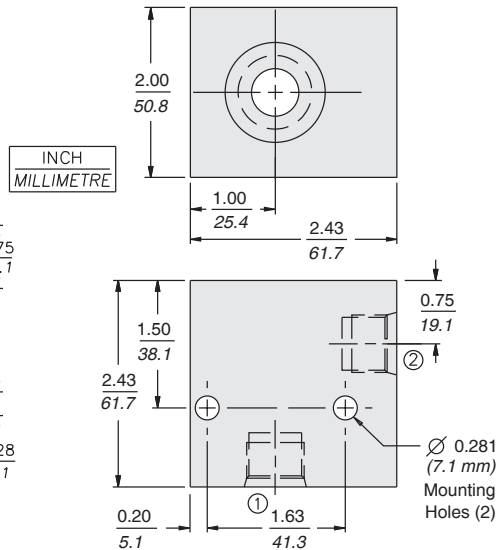
Series 10 Valve Housings

2-WAY with Oversized Ports Aluminum



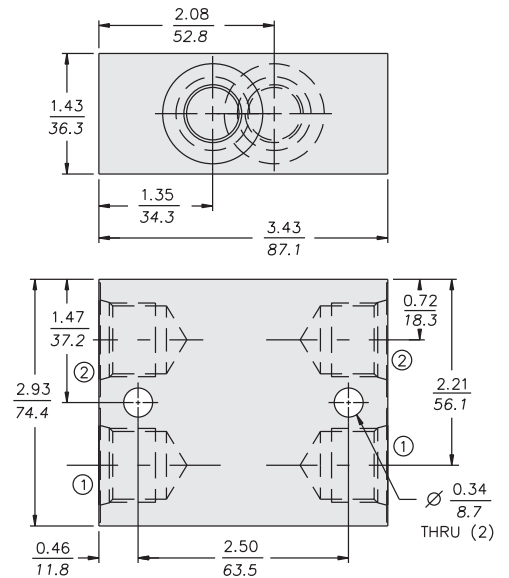
7029240 & 7024290

2-WAY Ductile Iron - H-Series



7158110 & 7158150

2-WAY Cross-Over Aluminum



7070170 CRV shown

Blue Rectangles are links to CAD .stp files.

SERIES 10 2-WAY WITH OVERSIZED PORTS

Code	Part No.	Material	Port 1	Port 2	Mfg. Loc.
10T	7029240	Alum.	SAE 10	SAE 10	U.S.
12T	7024290	Alum.	SAE 12	SAE 12	U.S.

SERIES 10 2-WAY H-SERIES HOUSINGS

Code	Part No.	Material	Port 1	Port 2	Mfg. Loc.
8HT	7158110	Duct. Iron	SAE 8	SAE 8	U.S.
4HB	7158150	Duct. Iron	1/2" BSP	1/2" BSP	U.K.

SERIES 10 2-WAY CROSS-OVER HOUSINGS

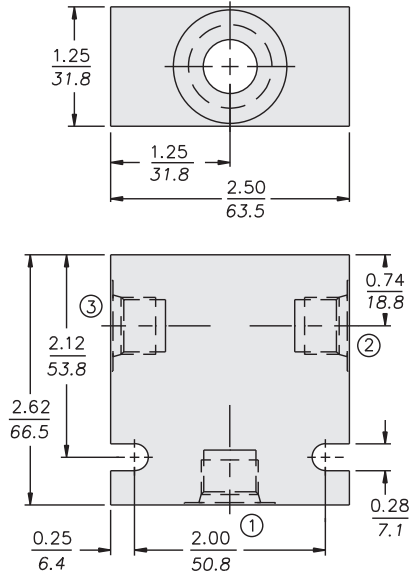
Code	Part No.	Material	Port 1	Port 2	Mfg. Loc.
10T	7070170	Alum.	SAE 10 (2)	SAE 10 (2)	U.S.

HYDRAFORCE STANDARD VALVE HOUSINGS

MATERIAL	OPERATING PRESSURE	PORTS	MFG. LOCATION
Aluminum	210 bar (3000 psi)	SAE	U.S.
Aluminum	210 bar (3000 psi)	BSP	U.K.
Ductile Iron	350 bar (5000 psi)	SAE	U.S.
Ductile Iron	350 bar (5000 psi)	BSP	U.K.

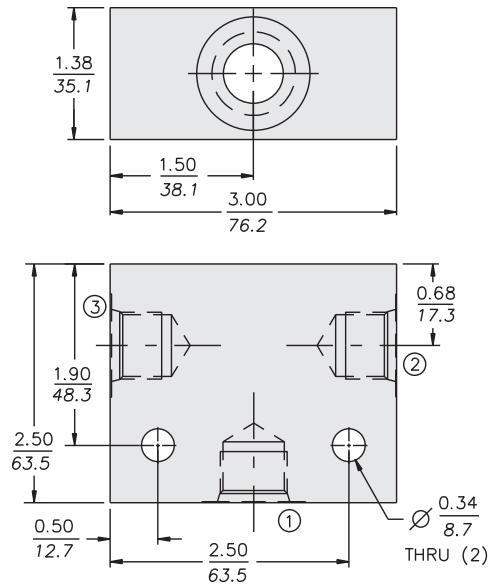
Series 10 Valve Housings

**2-WAY Thru-Ported
Aluminum**



7025660 & 7025680

**2-WAY Thru-Ported with Oversized Ports
Aluminum**



7027080 shown

INCH
MILLIMETRE

Blue Rectangles are links to CAD .stp files.

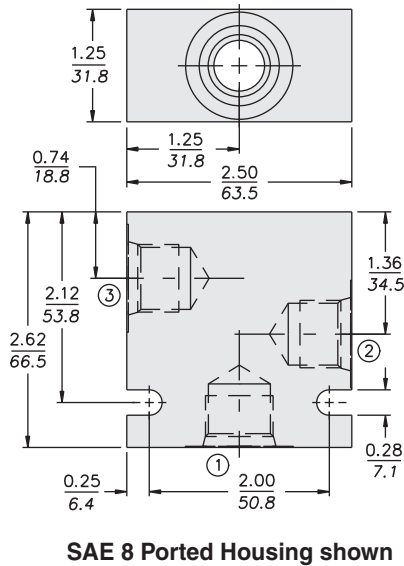
SERIES 10 2-WAY THRU-PORTED HOUSINGS						
Code	Part No.	Material	Port 1	Port 2	Port 3	Mfg. Loc.
6T	7025660	Alum.	SAE 6	SAE 6	SAE 6	U.S.
8T	7025680	Alum.	SAE 8	SAE 8	SAE 8	U.S.

SERIES 10 2-WAY THRU-PORTED WITH OVERSIZED PORTS						
Code	Part No.	Material	Port 1	Port 2	Port 3	Mfg. Loc.
10T	7027080	Alum.	SAE 10	SAE 10	SAE 10	U.S.

HYDRAFORCE STANDARD VALVE HOUSINGS			
MATERIAL	OPERATING PRESSURE	PORTS	MFG. LOCATION
Aluminum	210 bar (3000 psi)	SAE	U.S.
Aluminum	210 bar (3000 psi)	BSP	U.K.
Ductile Iron	350 bar (5000 psi)	SAE	U.S.
Ductile Iron	350 bar (5000 psi)	BSP	U.K.

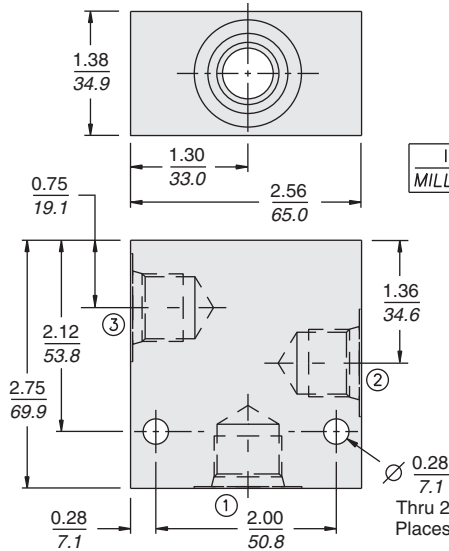
Series 10 Valve Housings

**3-WAY
Aluminum**



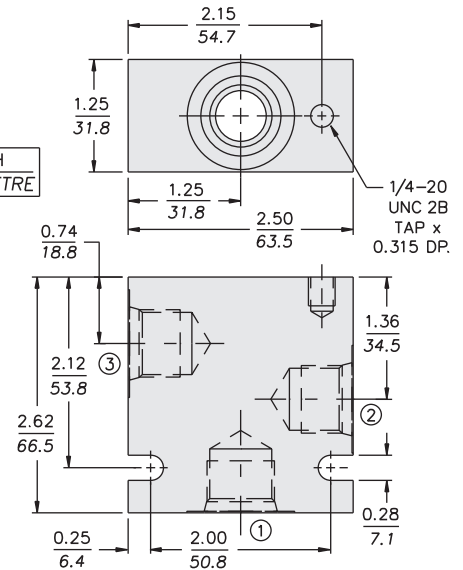
SAE 8 Ported Housing shown

**3-WAY
Ductile Iron**



SAE 8 Ported Housing shown

**3-WAY MR
Aluminum**



7020980 – MR
For Lock-Down Bracket Use

Blue Rectangles are links to CAD .stp files.

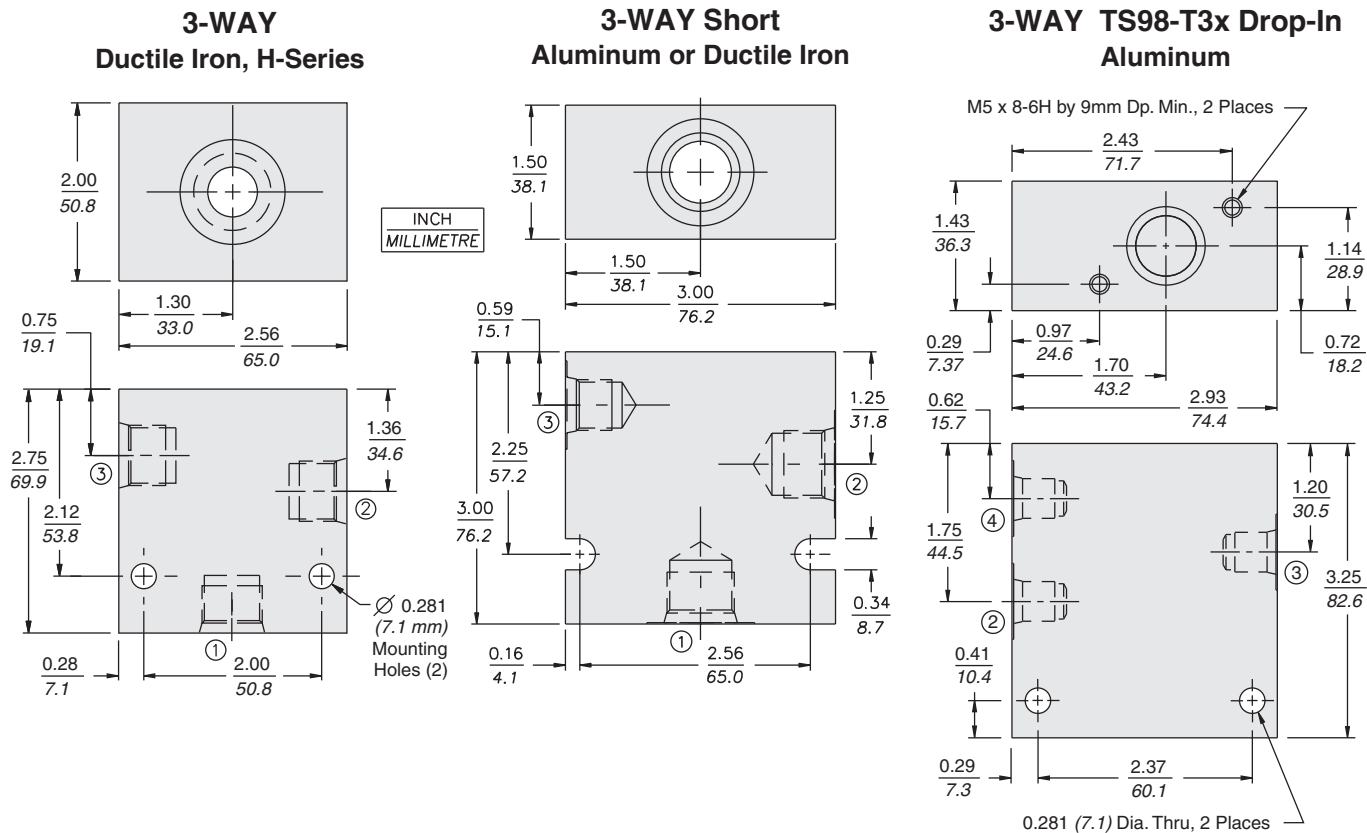
SERIES 10 3-WAY HOUSINGS						
Code	Part No.	Material	Port 1	Port 2	Port 3	Mfg. Loc.
6T	7024360	Alum.	SAE 6	SAE 6	SAE 6	U.S.
8T	7024380	Alum.	SAE 8	SAE 8	SAE 8	U.S.
3B	7028330	Alum.	3/8" BSP	3/8" BSP	3/8" BSP	U.K.
6TD	7151500	Duct. Iron	SAE 6	SAE 6	SAE 6	U.S.
8TD	7151510	Duct. Iron	SAE 8	SAE 8	SAE 8	U.S.
3BD	7151540	Duct. Iron	3/8" BSP	3/8" BSP	3/8" BSP	U.K.

SERIES 10 3-WAY MR HOUSINGS						
Code	Part No.	Material	Port 1	Port 2	Port 3	Mfg. Loc.
8TL	7020980	Alum.	SAE 8	SAE 8	SAE 8	U.S.

*Drilled and tapped for lock-down bracket

HYDRAFORCE STANDARD VALVE HOUSINGS			
MATERIAL	OPERATING PRESSURE	PORTS	MFG. LOCATION
Aluminum	210 bar (3000 psi)	SAE	U.S.
Aluminum	210 bar (3000 psi)	BSP	U.K.
Ductile Iron	350 bar (5000 psi)	SAE	U.S.
Ductile Iron	350 bar (5000 psi)	BSP	U.K.

Series 10 Valve Housings



Blue Rectangles are links to CAD .stp files.

SERIES 10 3-WAY H-SERIES HOUSINGS						
Code	Part No.	Material	Port 1	Port 2	Port 3	Mfg. Loc.
8HT	7158210	Duct. Iron	SAE 8	SAE 8	SAE 8	U.S.
3HB	7158240	Duct. Iron	3/8" BSP	3/8" BSP	3/8" BSP	U.K.

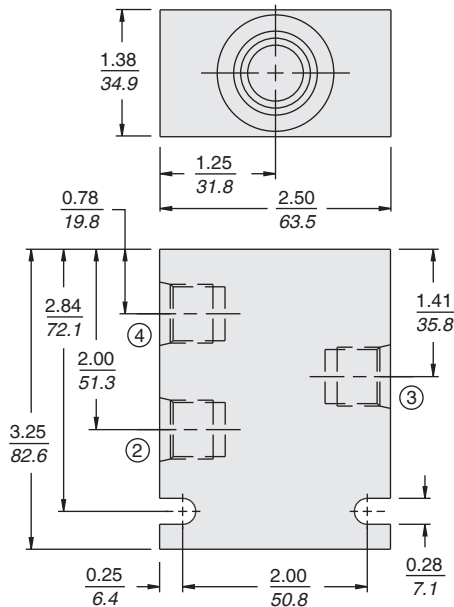
SERIES 10 3-WAY SHORT HOUSINGS						
Code	Part No.	Material	Port 1	Port 2	Port 3	Mfg. Loc.
8T	7026520	Alum.	SAE 8	SAE 8	SAE 6	U.S.
10T	7026530	Alum.	SAE 10	SAE 10	SAE 6	U.S.
8TD	7151610	Duct. Iron	SAE 8	SAE 8	SAE 6	U.S.
10TD	7151620	Duct. Iron	SAE 10	SAE 10	SAE 6	U.S.
3BD	7151650	Duct. Iron	3/8" BSP	3/8" BSP	1/4" BSP	U.K.
4BD	7151660	Duct. Iron	1/2" BSP	1/2" BSP	1/4" BSP	U.K.

SERIES 10 3-WAY TS98-T3x DROP-IN HOUSING						
Code	Part No.	Material	Port 1	Port 2	Port 3	Mfg. Loc.
6T	7150120	Alum.	SAE 6	SAE 6	SAE 6	U.S.

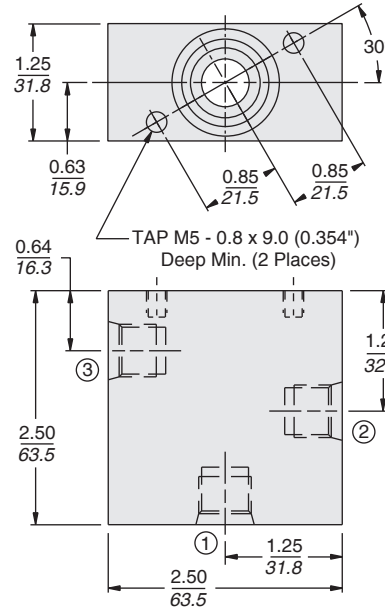
HYDRAFORCE STANDARD VALVE HOUSINGS			
MATERIAL	OPERATING PRESSURE	PORTS	MFG. LOCATION
Aluminum	210 bar (3000 psi)	SAE	U.S.
Aluminum	210 bar (3000 psi)	BSP	U.K.
Ductile Iron	350 bar (5000 psi)	SAE	U.S.
Ductile Iron	350 bar (5000 psi)	BSP	U.K.

Series 10 Valve Housings

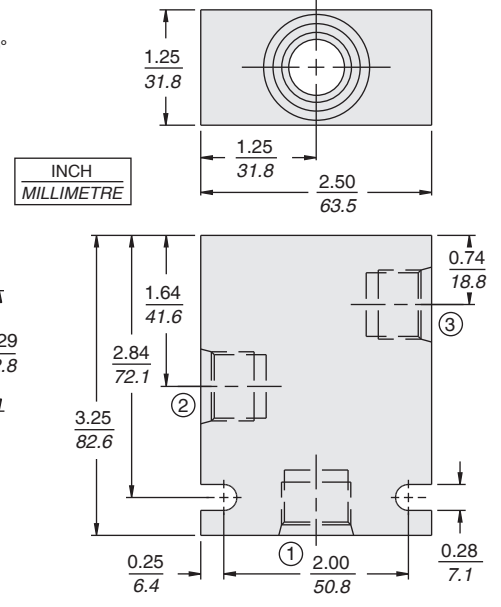
**3-WAY TS98-3x
Aluminum**



**3-WAY 98-T3
Aluminum**



**3-WAY 10-L3
Aluminum**



Blue Rectangles are links to CAD .stp files.

SERIES 10 3-WAY TS98-3x HOUSINGS

Code	Part No.	Material	Port 1	Port 2	Port 3	Mfg. Loc.
6T	7021680	Alum.	SAE 6	SAE 6	SAE 6	U.S.
8T	7021690	Alum.	SAE 8	SAE 8	SAE 8	U.S.

SERIES 10 3-WAY 98-T3 HOUSINGS

Code	Part No.	Material	Port 1	Port 2	Port 3	Mfg. Loc.
8T	7024030	Alum.	SAE 8	SAE 8	SAE 8	U.S.

SERIES 10 3-WAY 10-L3 HOUSINGS*

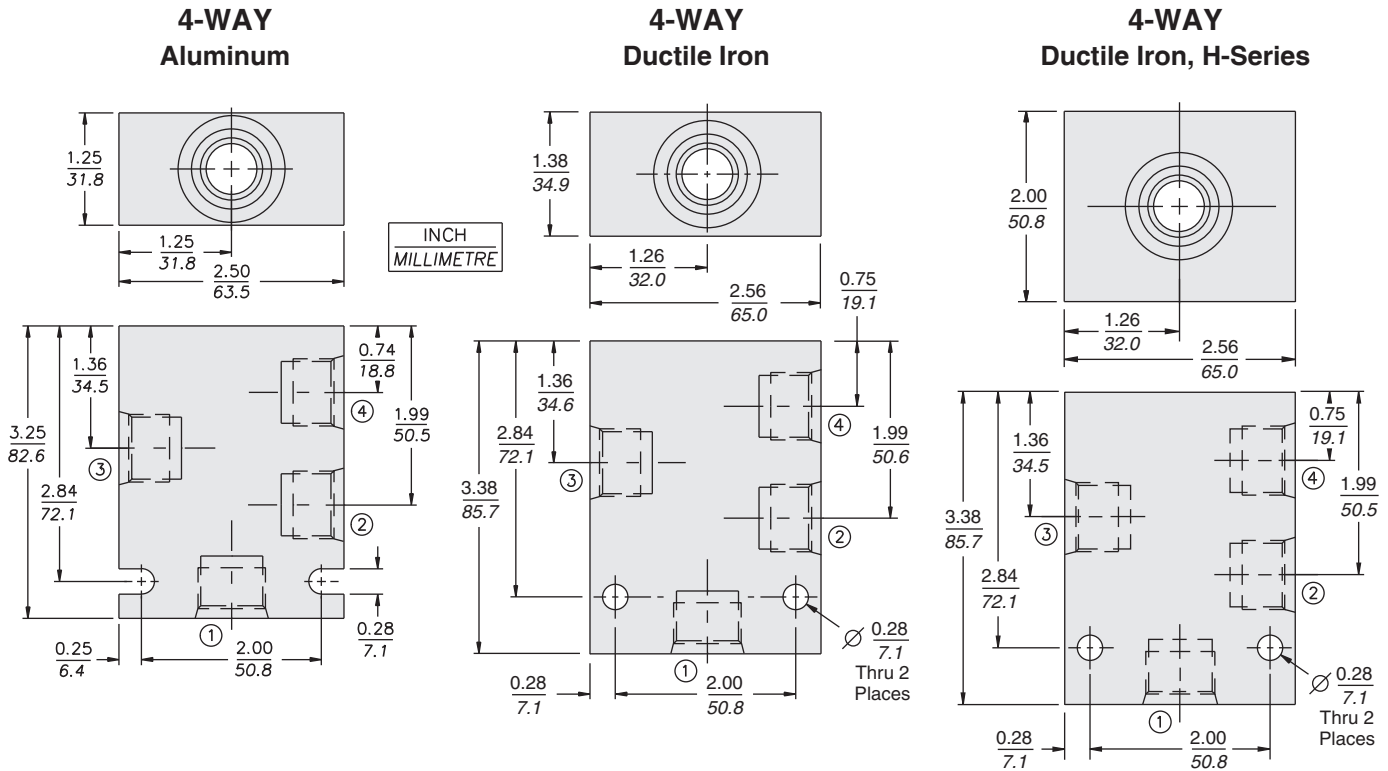
Code	Part No.	Material	Port 1	Port 2	Port 3	Mfg. Loc.
6T	7025460	Alum.	SAE 6	SAE 6	SAE 6	U.S.
8T	7025480	Alum.	SAE 8	SAE 8	SAE 8	U.S.

* Used only for ZL70-33 and ZL70-36

HYDRAFORCE STANDARD VALVE HOUSINGS

MATERIAL	OPERATING PRESSURE	PORTS	MFG. LOCATION
Aluminum	210 bar (3000 psi)	SAE	U.S.
Aluminum	210 bar (3000 psi)	BSP	U.K.
Ductile Iron	350 bar (5000 psi)	SAE	U.S.
Ductile Iron	350 bar (5000 psi)	BSP	U.K.

Series 10 Valve Housings



Blue Rectangles are links to CAD .stp files.

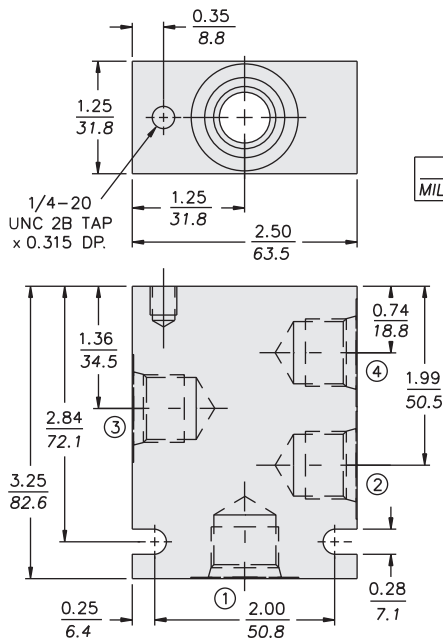
SERIES 10 4-WAY HOUSINGS							
Code	Part No.	Material	Port 1	Port 2	Port 3	Port 4	Mfg. Loc.
6T	7024460	Alum.	SAE 6	SAE 6	SAE 6	SAE 6	U.S.
8T	7024480	Alum.	SAE 8	SAE 8	SAE 8	SAE 8	U.S.
3B	7028430	Alum.	3/8" BSP	3/8" BSP	3/8" BSP	3/8" BSP	U.K.
6TD	7151700	Duct. Iron	SAE 6	SAE 6	SAE 6	SAE 6	U.S.
8TD	7151710	Duct. Iron	SAE 8	SAE 8	SAE 8	SAE 8	U.S.
3BD	7151740	Duct. Iron	3/8" BSP	3/8" BSP	3/8" BSP	3/8" BSP	U.K.

SERIES 10 4-WAY H-SERIES HOUSINGS							
Code	Part No.	Material	Port 1	Port 2	Port 3	Port 4	Mfg. Loc.
8HT	7158310	Duct. Iron	SAE 8	SAE 8	SAE 8	SAE 8	U.S.
3HB	7158340	Duct. Iron	3/8" BSP	3/8" BSP	3/8" BSP	3/8" BSP	U.K.

HYDRAFORCE STANDARD VALVE HOUSINGS			
MATERIAL	OPERATING PRESSURE	PORTS	MFG. LOCATION
Aluminum	210 bar (3000 psi)	SAE	U.S.
Aluminum	210 bar (3000 psi)	BSP	U.K.
Ductile Iron	350 bar (5000 psi)	SAE	U.S.
Ductile Iron	350 bar (5000 psi)	BSP	U.K.

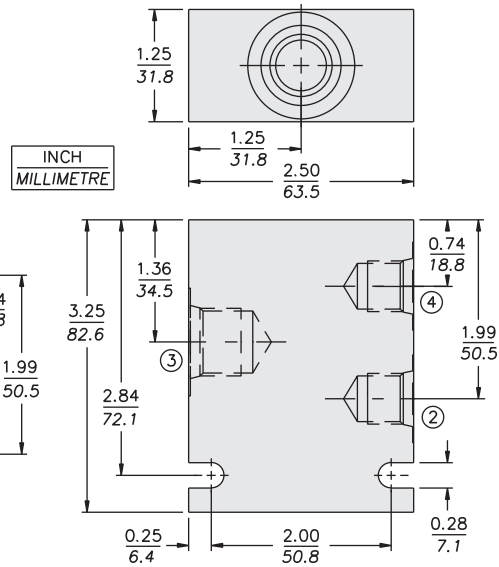
Series 10 Valve Housings

4-WAY MR Aluminum



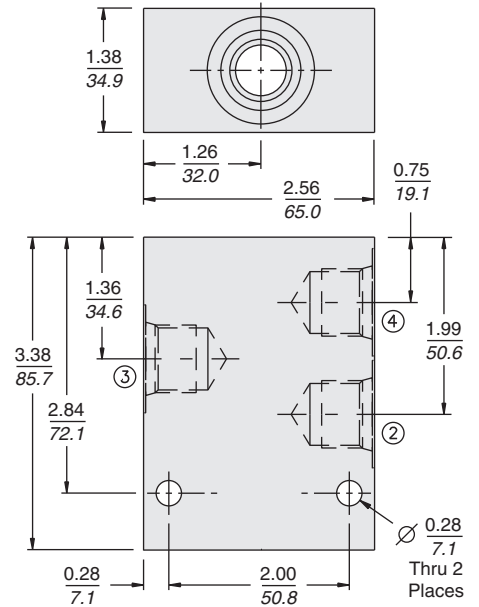
7023380 – MR
For Lock-Down Bracket Use

4-WAY 3-PORT, Special FD-Type, Aluminum



SAE 8 Ported Housing shown

4-WAY 3-PORT, Special FD-Type, Ductile Iron



SAE 8 Ported Housing shown

Blue Rectangles are links to CAD .stp files.

SERIES 10 4-WAY MR HOUSINGS							
Code	Part No.	Material	Port 1	Port 2	Port 3	Port 4	Mfg. Loc.
8TL	7023380	Alum.	SAE 8	SAE 8	SAE 8	SAE 8	U.S.

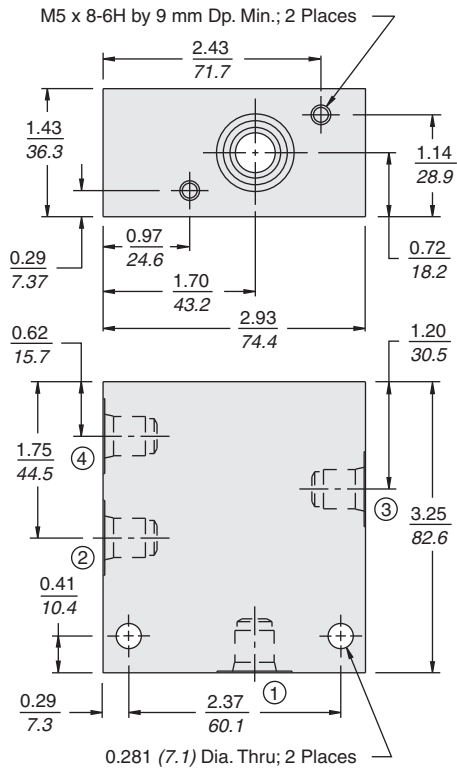
*Drilled and tapped for lock-down bracket

SERIES 10 4-WAY 3-PORTED SPECIAL FD-TYPE HOUSINGS							
Code	Part No.	Material	Port 1	Port 2	Port 3	Port 4	Mfg. Loc.
6T	7027000	Alum.	—	SAE 6	SAE 6	SAE 6	U.S.
8D	7024980	Alum.	—	SAE 6	SAE 8	SAE 6	U.S.
5B	7028540	Alum.	—	3/8" BSP	1/2" BSP	3/8" BSP	U.K.
6TD	7151900	Duct. Iron	—	SAE 6	SAE 6	SAE 6	U.S.
8TD	7151910	Duct. Iron	—	SAE 8	SAE 8	SAE 8	U.S.
8DD	7151920	Duct. Iron	—	SAE 6	SAE 8	SAE 6	U.S.
3BD	7151940	Duct. Iron	—	3/8" BSP	3/8" BSP	3/8" BSP	U.K.

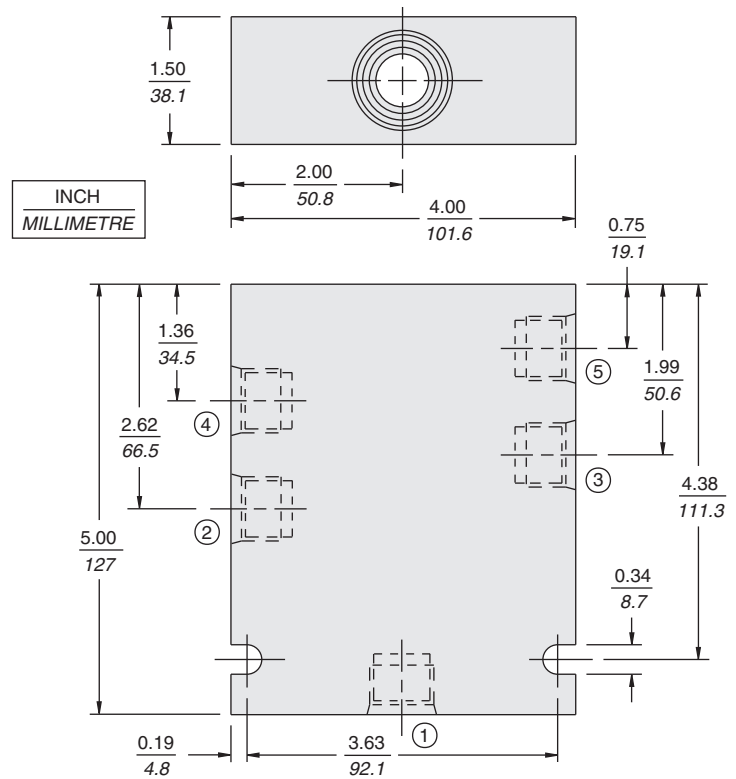
HYDRAFORCE STANDARD VALVE HOUSINGS			
MATERIAL	OPERATING PRESSURE	PORTS	MFG. LOCATION
Aluminum	210 bar (3000 psi)	SAE	U.S.
Aluminum	210 bar (3000 psi)	BSP	U.K.
Ductile Iron	350 bar (5000 psi)	SAE	U.S.
Ductile Iron	350 bar (5000 psi)	BSP	U.K.

Series 10 Valve Housings

4-WAY SV98-T40 Aluminum



5-WAY Aluminum



Blue Rectangles are links to CAD .stp files.

SERIES 10 4-WAY SV98-T40 HOUSINGS

Code	Part No.	Material	Port 1	Port 2	Port 3	Port 4	Mfg. Loc.
8T	7150030	Alum.	SAE 8	SAE 8	SAE 8	SAE 8	U.S.

SERIES 10 5-WAY HOUSINGS

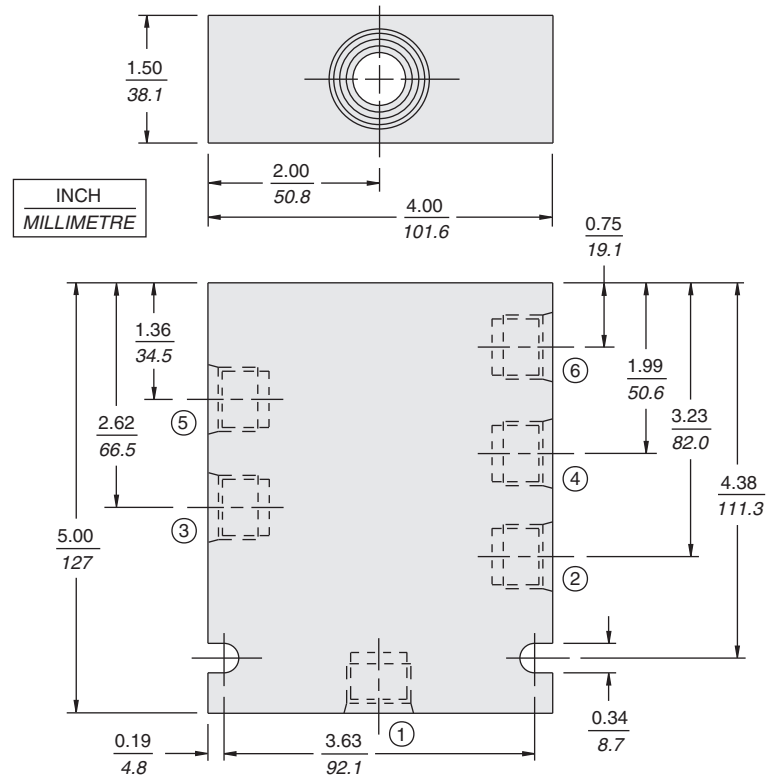
Code	Part No.	Material	Port 1	Port 2	Port 3	Port 4	Port 5	Mfg. Loc.
6T	7022820	Alum.	SAE 6	SAE 6	SAE 6	SAE 6	SAE 6	U.S.
8T	7022830	Alum.	SAE 8	SAE8	SAE 8	SAE 8	SAE 8	U.S.

HYDRAFORCE STANDARD VALVE HOUSINGS

MATERIAL	OPERATING PRESSURE	PORTS	MFG. LOCATION
Aluminum	210 bar (3000 psi)	SAE	U.S.
Aluminum	210 bar (3000 psi)	BSP	U.K.
Ductile Iron	350 bar (5000 psi)	SAE	U.S.
Ductile Iron	350 bar (5000 psi)	BSP	U.K.

Series 10 Valve Housings

6-WAY Aluminum



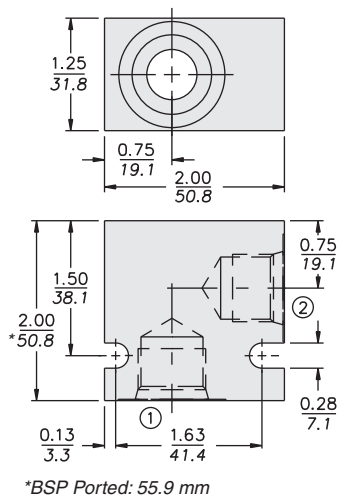
Blue Rectangles are links to CAD .stp files.

SERIES 10 6-WAY HOUSINGS									
Code	Part No.	Material	Port 1	Port 2	Port 3	Port 4	Port 5	Port 6	Mfg. Loc.
6T	4553010	Alum.	SAE 6	SAE 6	SAE 6	SAE 6	SAE 6	SAE 6	U.S.
8T	4559030	Alum.	SAE 8	SAE 8	SAE 8	SAE 8	SAE 8	SAE 8	U.S.
3B	4552990	Alum.	3/8" BSP	3/8" BSP	3/8" BSP	3/8" BSP	3/8" BSP	3/8" BSP	U.K.

HYDRAFORCE STANDARD VALVE HOUSINGS			
MATERIAL	OPERATING PRESSURE	PORTS	MFG. LOCATION
Aluminum	210 bar (3000 psi)	SAE	U.S.
Aluminum	210 bar (3000 psi)	BSP	U.K.
Ductile Iron	350 bar (5000 psi)	SAE	U.S.
Ductile Iron	350 bar (5000 psi)	BSP	U.K.

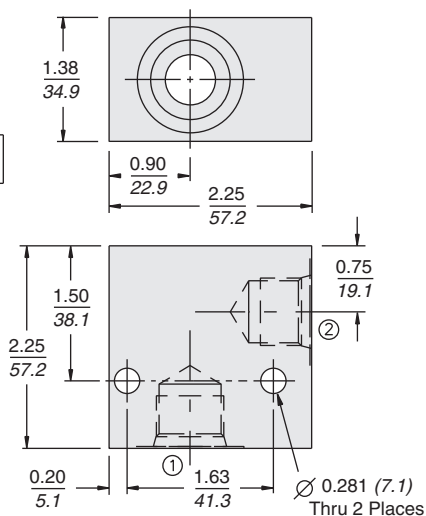
Series 10 Valve Housings

**2-WAY
Aluminum**



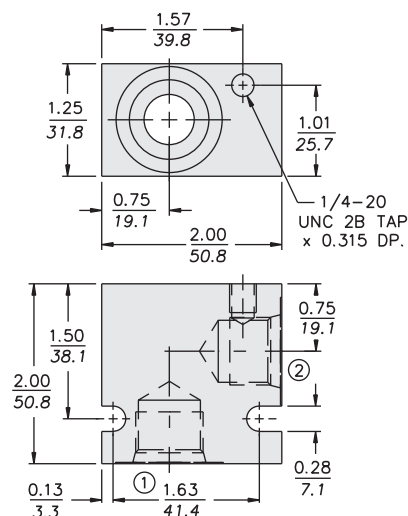
SAE 8 Ported Housing shown

**2-WAY
Ductile Iron**



SAE 8 Ported Housing shown

**2-WAY MR
Aluminum**



**7026180 – MR
For Lock-Down Bracket Use**

Blue Rectangles are links to CAD .stp files.

SERIES 10 2-WAY HOUSINGS					
Code	Part No.	Material	Port 1	Port 2	Mfg. Loc.
6T	7024260	Alum.	SAE 6	SAE 6	U.S.
8T	7024280	Alum.	SAE 8	SAE 8	U.S.
2B	7028220	Alum.	1/4" BSP	1/4" BSP	U.K.
3B	7028230	Alum.	3/8" BSP	3/8" BSP	U.K.
4B	7028240	Alum.	1/2" BSP	1/2" BSP	U.K.
6TD	7151400	Duct. Iron	SAE 6	SAE 6	U.S.
8TD	7151410	Duct. Iron	SAE 8	SAE 8	U.S.
3BD	7151440	Duct. Iron	3/8" BSP	3/8" BSP	U.K.
4BD	7151450	Duct. Iron	1/2" BSP	1/2" BSP	U.K.

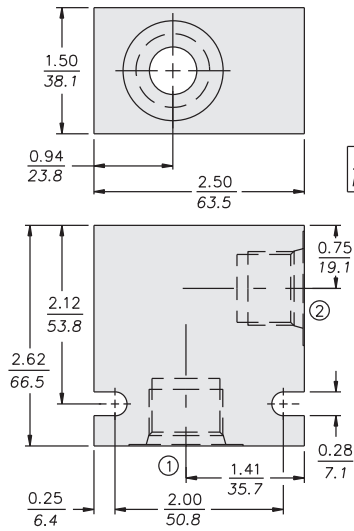
SERIES 10 2-WAY MR HOUSINGS					
Code	Part No.	Material	Port 1	Port 2	Mfg. Loc.
8TL	7026180	Alum.	SAE 8	SAE 8	U.S.*

*Drilled and tapped for lock-down bracket

HYDRAFORCE STANDARD VALVE HOUSINGS			
MATERIAL	OPERATING PRESSURE	PORTS	MFG. LOCATION
Aluminum	210 bar (3000 psi)	SAE	U.S.
Aluminum	210 bar (3000 psi)	BSP	U.K.
Ductile Iron	350 bar (5000 psi)	SAE	U.S.
Ductile Iron	350 bar (5000 psi)	BSP	U.K.

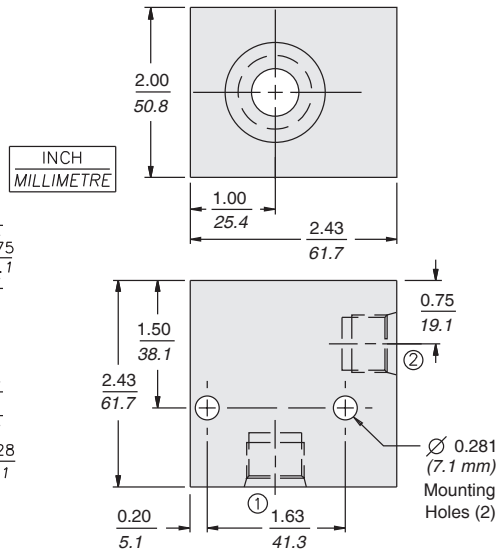
Series 10 Valve Housings

2-WAY with Oversized Ports Aluminum



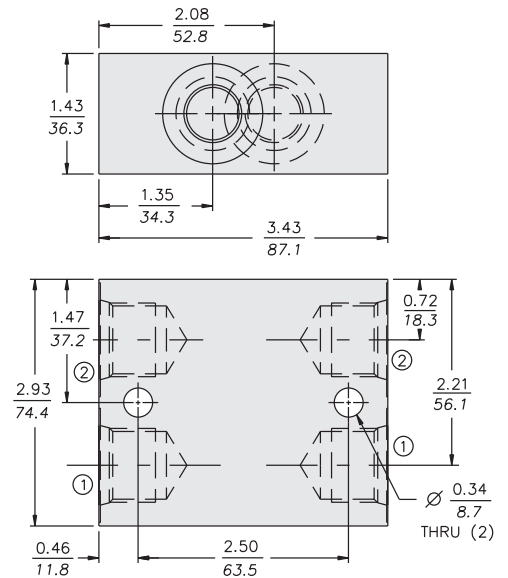
7029240 & 7024290

2-WAY Ductile Iron - H-Series



7158110 & 7158150

2-WAY Cross-Over Aluminum



7070170 CRV shown

Blue Rectangles are links to CAD .stp files.

SERIES 10 2-WAY WITH OVERSIZED PORTS

Code	Part No.	Material	Port 1	Port 2	Mfg. Loc.
10T	7029240	Alum.	SAE 10	SAE 10	U.S.
12T	7024290	Alum.	SAE 12	SAE 12	U.S.

SERIES 10 2-WAY H-SERIES HOUSINGS

Code	Part No.	Material	Port 1	Port 2	Mfg. Loc.
8HT	7158110	Duct. Iron	SAE 8	SAE 8	U.S.
4HB	7158150	Duct. Iron	1/2" BSP	1/2" BSP	U.K.

SERIES 10 2-WAY CROSS-OVER HOUSINGS

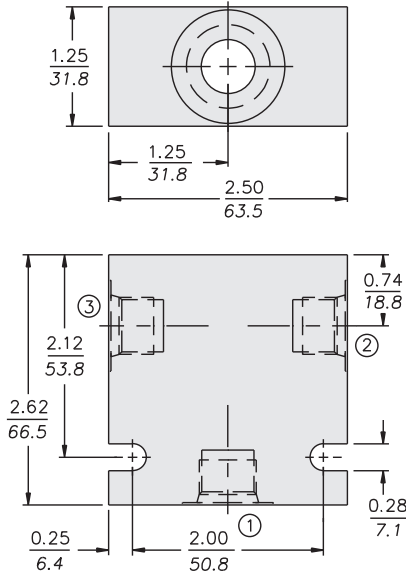
Code	Part No.	Material	Port 1	Port 2	Mfg. Loc.
10T	7070170	Alum.	SAE 10 (2)	SAE 10 (2)	U.S.

HYDRAFORCE STANDARD VALVE HOUSINGS

MATERIAL	OPERATING PRESSURE	PORTS	MFG. LOCATION
Aluminum	210 bar (3000 psi)	SAE	U.S.
Aluminum	210 bar (3000 psi)	BSP	U.K.
Ductile Iron	350 bar (5000 psi)	SAE	U.S.
Ductile Iron	350 bar (5000 psi)	BSP	U.K.

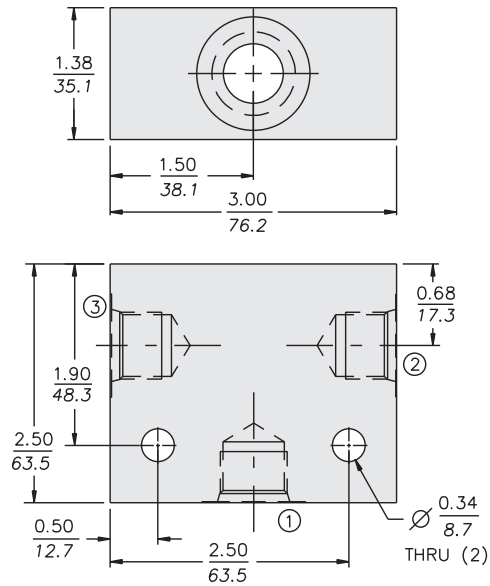
Series 10 Valve Housings

**2-WAY Thru-Ported
Aluminum**



7025660 & 7025680

**2-WAY Thru-Ported with Oversized Ports
Aluminum**



7027080 shown

INCH
MILLIMETRE

Blue Rectangles are links to CAD .stp files.

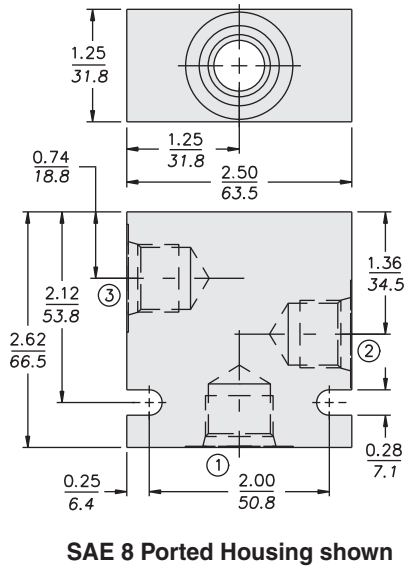
SERIES 10 2-WAY THRU-PORTED HOUSINGS						
Code	Part No.	Material	Port 1	Port 2	Port 3	Mfg. Loc.
6T	7025660	Alum.	SAE 6	SAE 6	SAE 6	U.S.
8T	7025680	Alum.	SAE 8	SAE 8	SAE 8	U.S.

SERIES 10 2-WAY THRU-PORTED WITH OVERSIZED PORTS						
Code	Part No.	Material	Port 1	Port 2	Port 3	Mfg. Loc.
10T	7027080	Alum.	SAE 10	SAE 10	SAE 10	U.S.

HYDRAFORCE STANDARD VALVE HOUSINGS			
MATERIAL	OPERATING PRESSURE	PORTS	MFG. LOCATION
Aluminum	210 bar (3000 psi)	SAE	U.S.
Aluminum	210 bar (3000 psi)	BSP	U.K.
Ductile Iron	350 bar (5000 psi)	SAE	U.S.
Ductile Iron	350 bar (5000 psi)	BSP	U.K.

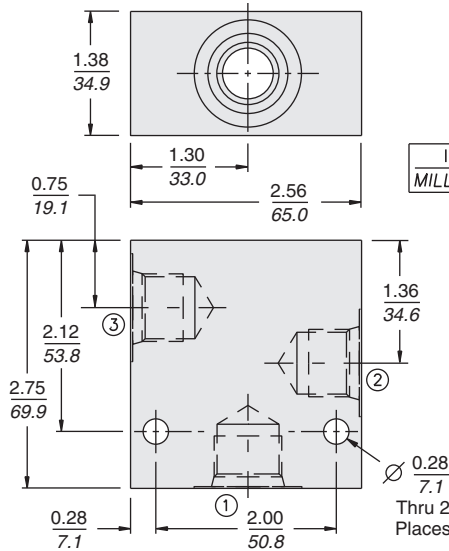
Series 10 Valve Housings

**3-WAY
Aluminum**



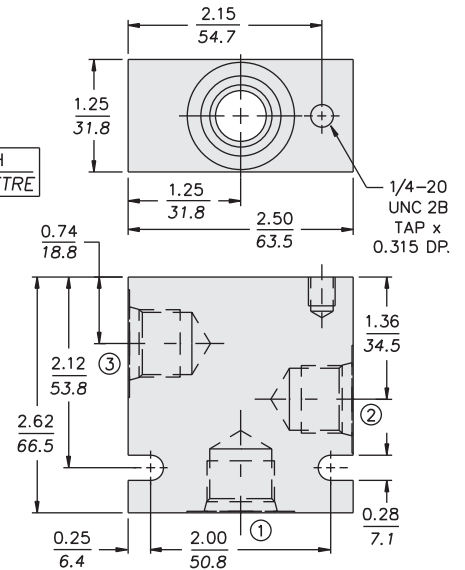
SAE 8 Ported Housing shown

**3-WAY
Ductile Iron**



SAE 8 Ported Housing shown

**3-WAY MR
Aluminum**



7020980 – MR
For Lock-Down Bracket Use

Blue Rectangles are links to CAD .stp files.

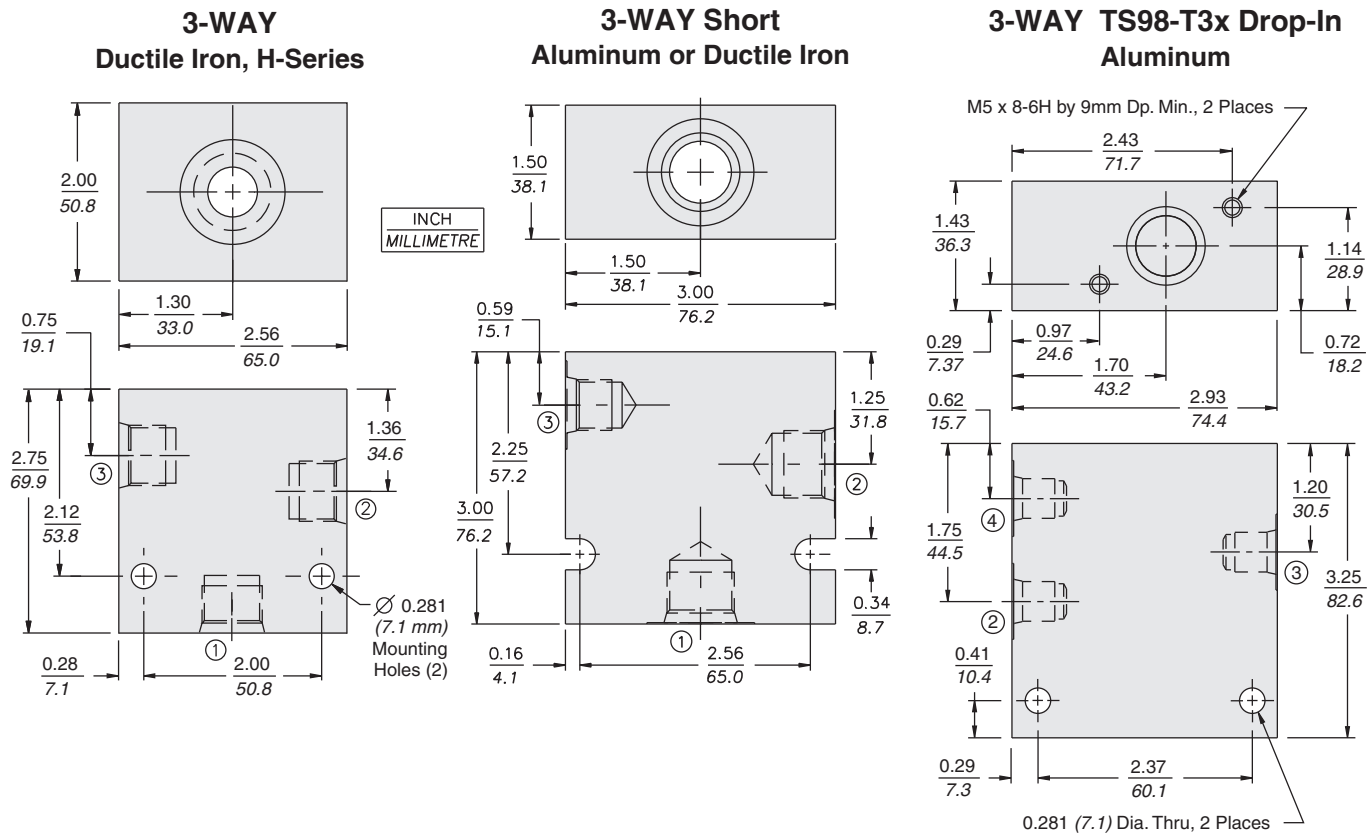
SERIES 10 3-WAY HOUSINGS						
Code	Part No.	Material	Port 1	Port 2	Port 3	Mfg. Loc.
6T	7024360	Alum.	SAE 6	SAE 6	SAE 6	U.S.
8T	7024380	Alum.	SAE 8	SAE 8	SAE 8	U.S.
3B	7028330	Alum.	3/8" BSP	3/8" BSP	3/8" BSP	U.K.
6TD	7151500	Duct. Iron	SAE 6	SAE 6	SAE 6	U.S.
8TD	7151510	Duct. Iron	SAE 8	SAE 8	SAE 8	U.S.
3BD	7151540	Duct. Iron	3/8" BSP	3/8" BSP	3/8" BSP	U.K.

SERIES 10 3-WAY MR HOUSINGS						
Code	Part No.	Material	Port 1	Port 2	Port 3	Mfg. Loc.
8TL	7020980	Alum.	SAE 8	SAE 8	SAE 8	U.S.

*Drilled and tapped for lock-down bracket

HYDRAFORCE STANDARD VALVE HOUSINGS			
MATERIAL	OPERATING PRESSURE	PORTS	MFG. LOCATION
Aluminum	210 bar (3000 psi)	SAE	U.S.
Aluminum	210 bar (3000 psi)	BSP	U.K.
Ductile Iron	350 bar (5000 psi)	SAE	U.S.
Ductile Iron	350 bar (5000 psi)	BSP	U.K.

Series 10 Valve Housings



Blue Rectangles are links to CAD .stp files.

SERIES 10 3-WAY H-SERIES HOUSINGS						
Code	Part No.	Material	Port 1	Port 2	Port 3	Mfg. Loc.
8HT	7158210	Duct. Iron	SAE 8	SAE 8	SAE 8	U.S.
3HB	7158240	Duct. Iron	3/8" BSP	3/8" BSP	3/8" BSP	U.K.

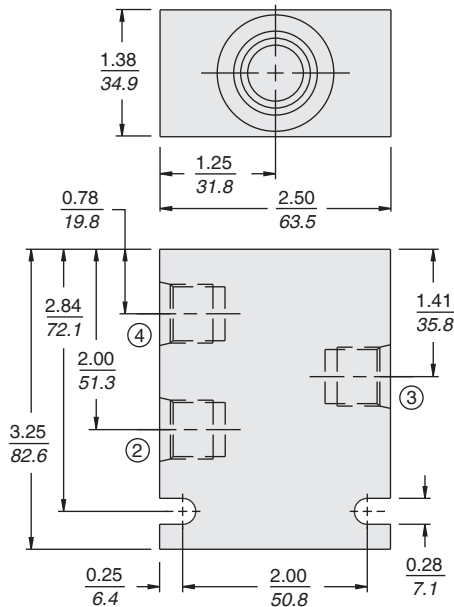
SERIES 10 3-WAY SHORT HOUSINGS						
Code	Part No.	Material	Port 1	Port 2	Port 3	Mfg. Loc.
8T	7026520	Alum.	SAE 8	SAE 8	SAE 6	U.S.
10T	7026530	Alum.	SAE 10	SAE 10	SAE 6	U.S.
8TD	7151610	Duct. Iron	SAE 8	SAE 8	SAE 6	U.S.
10TD	7151620	Duct. Iron	SAE 10	SAE 10	SAE 6	U.S.
3BD	7151650	Duct. Iron	3/8" BSP	3/8" BSP	1/4" BSP	U.K.
4BD	7151660	Duct. Iron	1/2" BSP	1/2" BSP	1/4" BSP	U.K.

SERIES 10 3-WAY TS98-T3x DROP-IN HOUSING						
Code	Part No.	Material	Port 1	Port 2	Port 3	Mfg. Loc.
6T	7150120	Alum.	SAE 6	SAE 6	SAE 6	U.S.

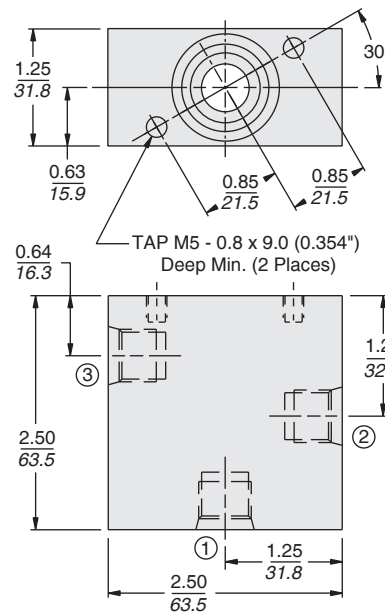
HYDRAFORCE STANDARD VALVE HOUSINGS			
MATERIAL	OPERATING PRESSURE	PORTS	MFG. LOCATION
Aluminum	210 bar (3000 psi)	SAE	U.S.
Aluminum	210 bar (3000 psi)	BSP	U.K.
Ductile Iron	350 bar (5000 psi)	SAE	U.S.
Ductile Iron	350 bar (5000 psi)	BSP	U.K.

Series 10 Valve Housings

**3-WAY TS98-3x
Aluminum**

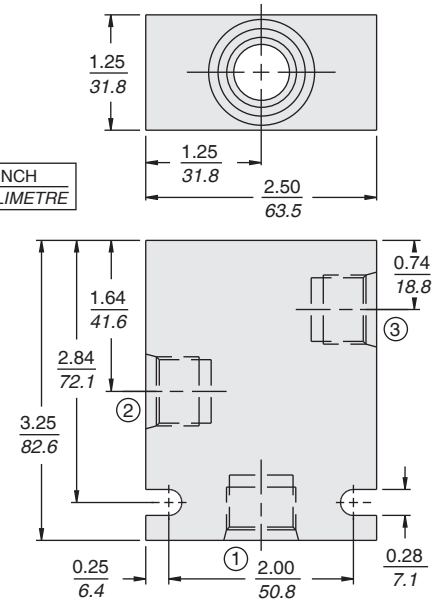


**3-WAY 98-T3
Aluminum**



INCH
MILLIMETRE

**3-WAY 10-L3
Aluminum**



Blue Rectangles are links to CAD .stp files.

SERIES 10 3-WAY TS98-3x HOUSINGS

Code	Part No.	Material	Port 1	Port 2	Port 3	Mfg. Loc.
6T	7021680	Alum.	SAE 6	SAE 6	SAE 6	U.S.
8T	7021690	Alum.	SAE 8	SAE 8	SAE 8	U.S.

SERIES 10 3-WAY 98-T3 HOUSINGS

Code	Part No.	Material	Port 1	Port 2	Port 3	Mfg. Loc.
8T	7024030	Alum.	SAE 8	SAE 8	SAE 8	U.S.

SERIES 10 3-WAY 10-L3 HOUSINGS*

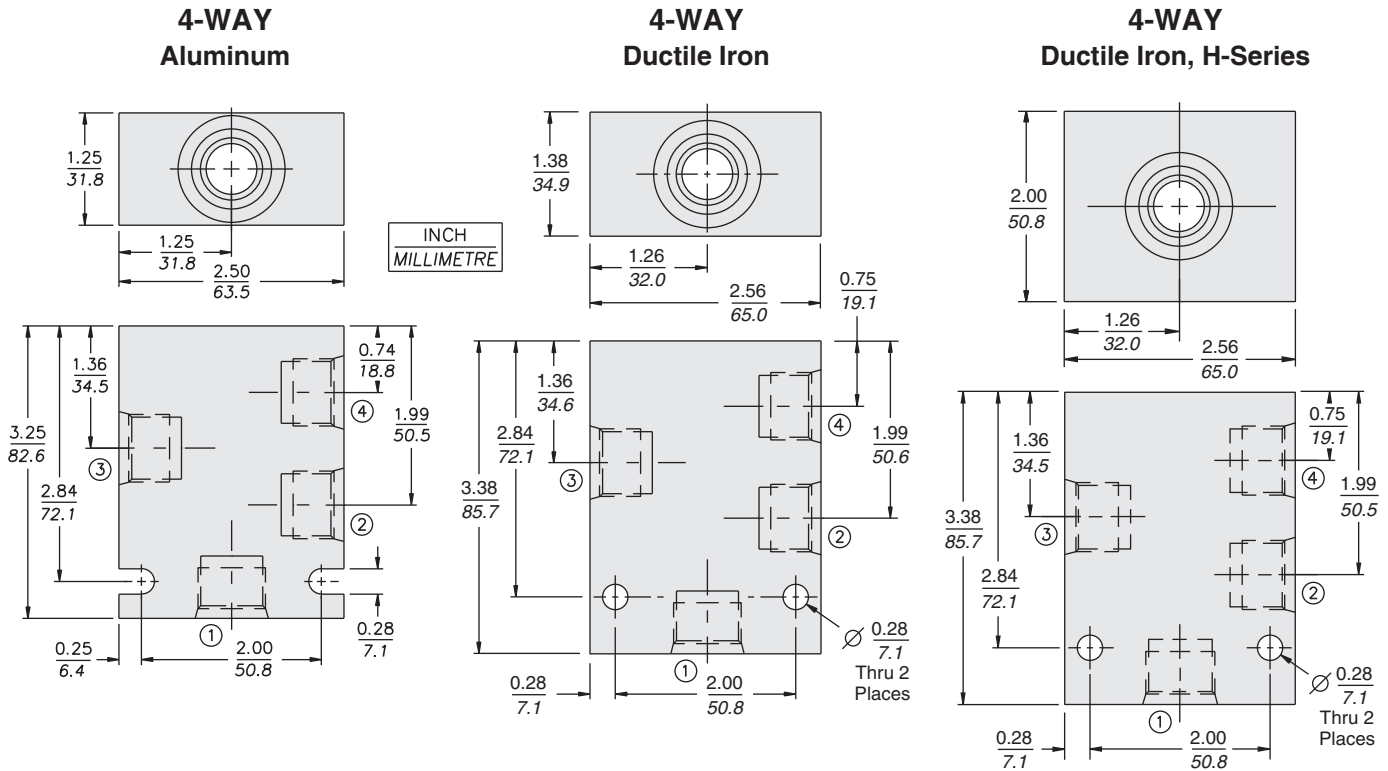
Code	Part No.	Material	Port 1	Port 2	Port 3	Mfg. Loc.
6T	7025460	Alum.	SAE 6	SAE 6	SAE 6	U.S.
8T	7025480	Alum.	SAE 8	SAE 8	SAE 8	U.S.

* Used only for ZL70-33 and ZL70-36

HYDRAFORCE STANDARD VALVE HOUSINGS

MATERIAL	OPERATING PRESSURE	PORTS	MFG. LOCATION
Aluminum	210 bar (3000 psi)	SAE	U.S.
Aluminum	210 bar (3000 psi)	BSP	U.K.
Ductile Iron	350 bar (5000 psi)	SAE	U.S.
Ductile Iron	350 bar (5000 psi)	BSP	U.K.

Series 10 Valve Housings



Blue Rectangles are links to CAD .stp files.

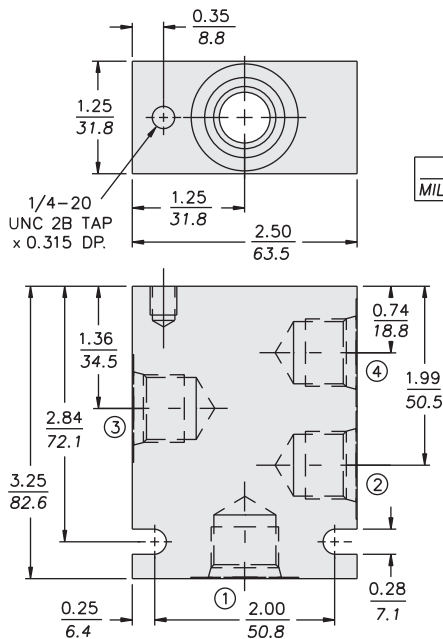
SERIES 10 4-WAY HOUSINGS							
Code	Part No.	Material	Port 1	Port 2	Port 3	Port 4	Mfg. Loc.
6T	7024460	Alum.	SAE 6	SAE 6	SAE 6	SAE 6	U.S.
8T	7024480	Alum.	SAE 8	SAE 8	SAE 8	SAE 8	U.S.
3B	7028430	Alum.	3/8" BSP	3/8" BSP	3/8" BSP	3/8" BSP	U.K.
6TD	7151700	Duct. Iron	SAE 6	SAE 6	SAE 6	SAE 6	U.S.
8TD	7151710	Duct. Iron	SAE 8	SAE 8	SAE 8	SAE 8	U.S.
3BD	7151740	Duct. Iron	3/8" BSP	3/8" BSP	3/8" BSP	3/8" BSP	U.K.

SERIES 10 4-WAY H-SERIES HOUSINGS							
Code	Part No.	Material	Port 1	Port 2	Port 3	Port 4	Mfg. Loc.
8HT	7158310	Duct. Iron	SAE 8	SAE 8	SAE 8	SAE 8	U.S.
3HB	7158340	Duct. Iron	3/8" BSP	3/8" BSP	3/8" BSP	3/8" BSP	U.K.

HYDRAFORCE STANDARD VALVE HOUSINGS			
MATERIAL	OPERATING PRESSURE	PORTS	MFG. LOCATION
Aluminum	210 bar (3000 psi)	SAE	U.S.
Aluminum	210 bar (3000 psi)	BSP	U.K.
Ductile Iron	350 bar (5000 psi)	SAE	U.S.
Ductile Iron	350 bar (5000 psi)	BSP	U.K.

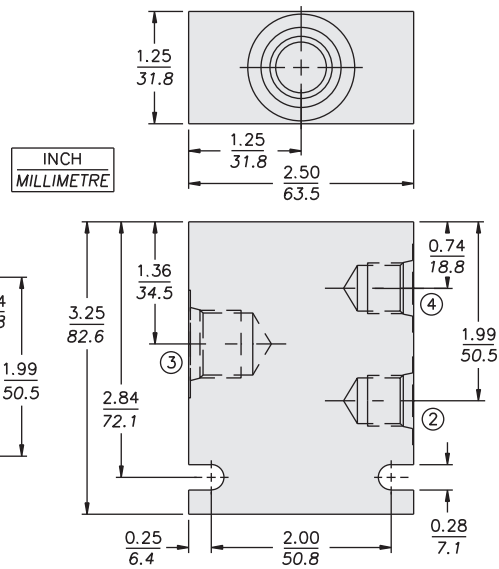
Series 10 Valve Housings

4-WAY MR Aluminum



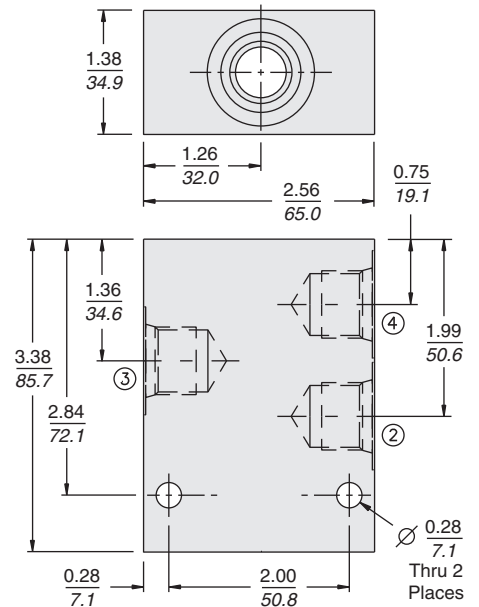
7023380 – MR
For Lock-Down Bracket Use

4-WAY 3-PORT, Special FD-Type, Aluminum



SAE 8 Ported Housing shown

4-WAY 3-PORT, Special FD-Type, Ductile Iron



SAE 8 Ported Housing shown

Blue Rectangles are links to CAD .stp files.

SERIES 10 4-WAY MR HOUSINGS							
Code	Part No.	Material	Port 1	Port 2	Port 3	Port 4	Mfg. Loc.
8TL	7023380	Alum.	SAE 8	SAE 8	SAE 8	SAE 8	U.S.

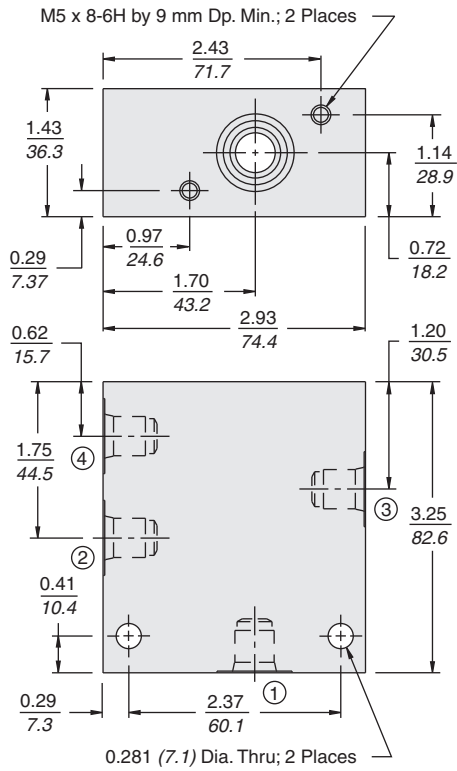
*Drilled and tapped for lock-down bracket

SERIES 10 4-WAY 3-PORTED SPECIAL FD-TYPE HOUSINGS							
Code	Part No.	Material	Port 1	Port 2	Port 3	Port 4	Mfg. Loc.
6T	7027000	Alum.	—	SAE 6	SAE 6	SAE 6	U.S.
8D	7024980	Alum.	—	SAE 6	SAE 8	SAE 6	U.S.
5B	7028540	Alum.	—	3/8" BSP	1/2" BSP	3/8" BSP	U.K.
6TD	7151900	Duct. Iron	—	SAE 6	SAE 6	SAE 6	U.S.
8TD	7151910	Duct. Iron	—	SAE 8	SAE 8	SAE 8	U.S.
8DD	7151920	Duct. Iron	—	SAE 6	SAE 8	SAE 6	U.S.
3BD	7151940	Duct. Iron	—	3/8" BSP	3/8" BSP	3/8" BSP	U.K.

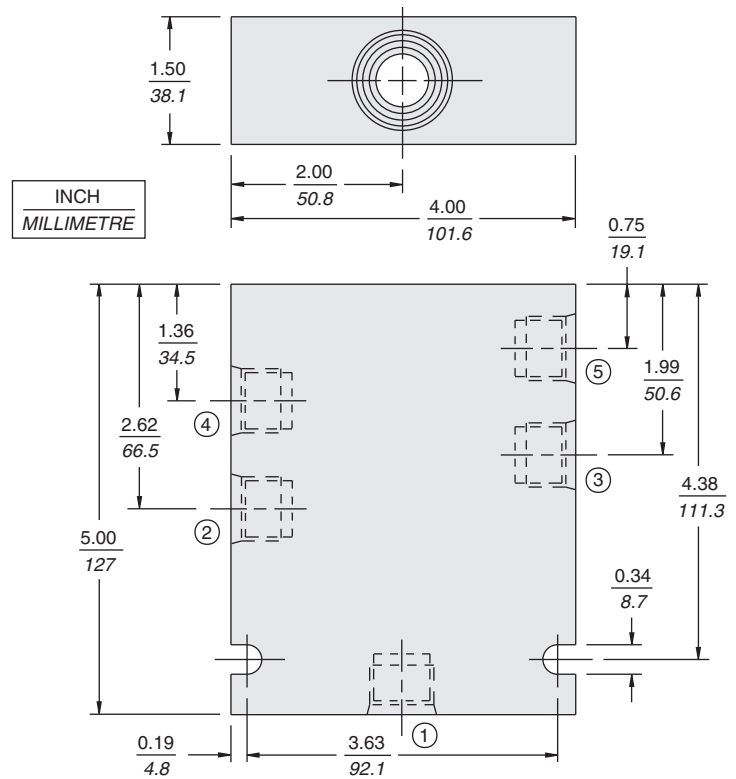
HYDRAFORCE STANDARD VALVE HOUSINGS			
MATERIAL	OPERATING PRESSURE	PORTS	MFG. LOCATION
Aluminum	210 bar (3000 psi)	SAE	U.S.
Aluminum	210 bar (3000 psi)	BSP	U.K.
Ductile Iron	350 bar (5000 psi)	SAE	U.S.
Ductile Iron	350 bar (5000 psi)	BSP	U.K.

Series 10 Valve Housings

4-WAY SV98-T40 Aluminum



5-WAY Aluminum



Blue Rectangles are links to CAD .stp files.

SERIES 10 4-WAY SV98-T40 HOUSINGS

Code	Part No.	Material	Port 1	Port 2	Port 3	Port 4	Mfg. Loc.
8T	7150030	Alum.	SAE 8	SAE 8	SAE 8	SAE 8	U.S.

SERIES 10 5-WAY HOUSINGS

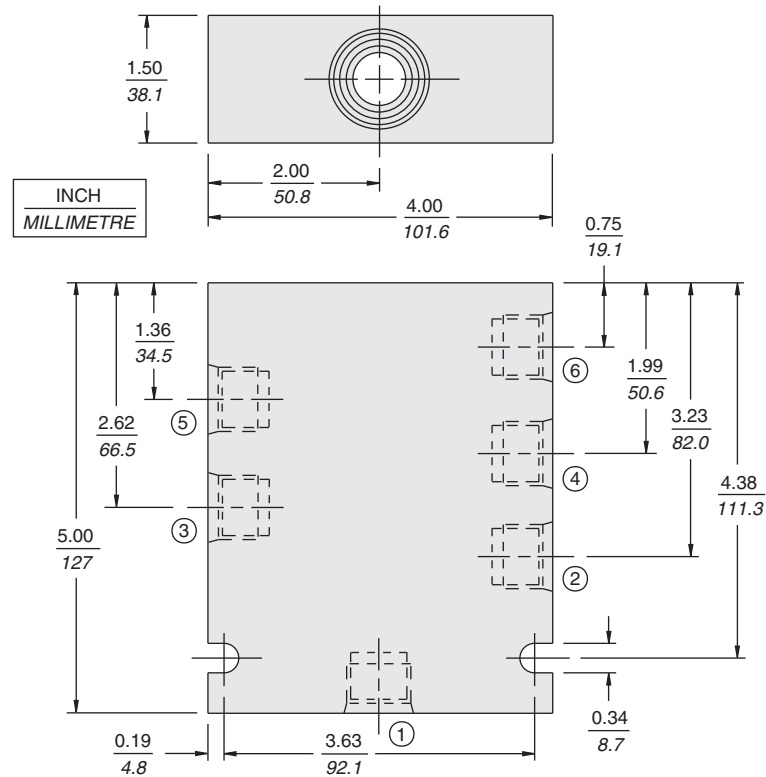
Code	Part No.	Material	Port 1	Port 2	Port 3	Port 4	Port 5	Mfg. Loc.
6T	7022820	Alum.	SAE 6	SAE 6	SAE 6	SAE 6	SAE 6	U.S.
8T	7022830	Alum.	SAE 8	SAE8	SAE 8	SAE 8	SAE 8	U.S.

HYDRAFORCE STANDARD VALVE HOUSINGS

MATERIAL	OPERATING PRESSURE	PORTS	MFG. LOCATION
Aluminum	210 bar (3000 psi)	SAE	U.S.
Aluminum	210 bar (3000 psi)	BSP	U.K.
Ductile Iron	350 bar (5000 psi)	SAE	U.S.
Ductile Iron	350 bar (5000 psi)	BSP	U.K.

Series 10 Valve Housings

6-WAY Aluminum



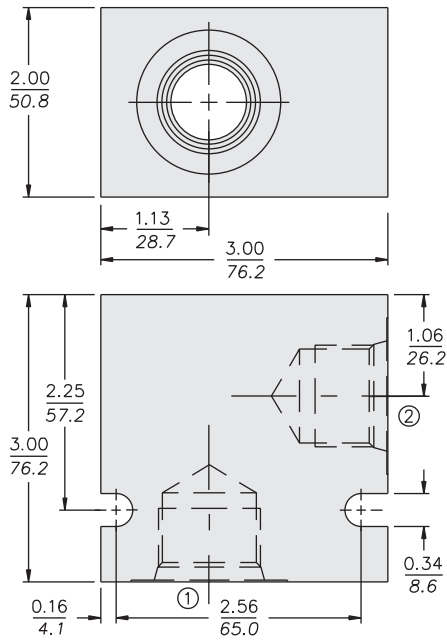
Blue Rectangles are links to CAD .stp files.

SERIES 10 6-WAY HOUSINGS									
Code	Part No.	Material	Port 1	Port 2	Port 3	Port 4	Port 5	Port 6	Mfg. Loc.
6T	4553010	Alum.	SAE 6	SAE 6	SAE 6	SAE 6	SAE 6	SAE 6	U.S.
8T	4559030	Alum.	SAE 8	SAE 8	SAE 8	SAE 8	SAE 8	SAE 8	U.S.
3B	4552990	Alum.	3/8" BSP	3/8" BSP	3/8" BSP	3/8" BSP	3/8" BSP	3/8" BSP	U.K.

HYDRAFORCE STANDARD VALVE HOUSINGS			
MATERIAL	OPERATING PRESSURE	PORTS	MFG. LOCATION
Aluminum	210 bar (3000 psi)	SAE	U.S.
Aluminum	210 bar (3000 psi)	BSP	U.K.
Ductile Iron	350 bar (5000 psi)	SAE	U.S.
Ductile Iron	350 bar (5000 psi)	BSP	U.K.

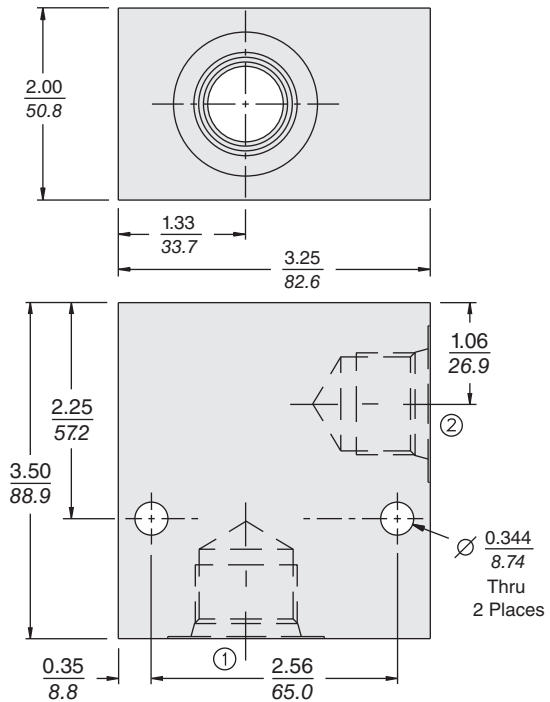
Series 12 Valve Housings

**2-WAY
Aluminum**



SAE 12 Ported Housing shown

**2-WAY
Ductile Iron**



SAE 12 Ported Housing shown

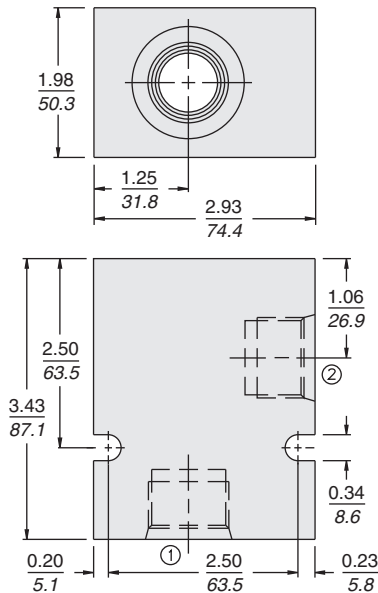
INCH
MILLIMETRE

SERIES 12 2-WAY HOUSINGS					
Code	Part No.	Material	Port 1	Port 2	Mfg. Loc.
10T	7022240	Alum.	SAE 10	SAE 10	U.S.
12T	7022250	Alum.	SAE 12	SAE 12	U.S.
16T	7022260	Alum.	SAE 16	SAE 16	U.S.
6B	7022520	Alum.	3/4" BSP	3/4" BSP	U.K.
8B	7022530	Alum.	1" BSP	1" BSP	U.K.
12TD	7155010	Duct. Iron	SAE 12	SAE 12	U.S.
16TD	7155020	Duct. Iron	SAE 16	SAE 16	U.S.
6BD	7155050	Duct. Iron	3/4" BSP	3/4" BSP	U.K.
8BD	7155060	Duct. Iron	1" BSP	1" BSP	U.K.

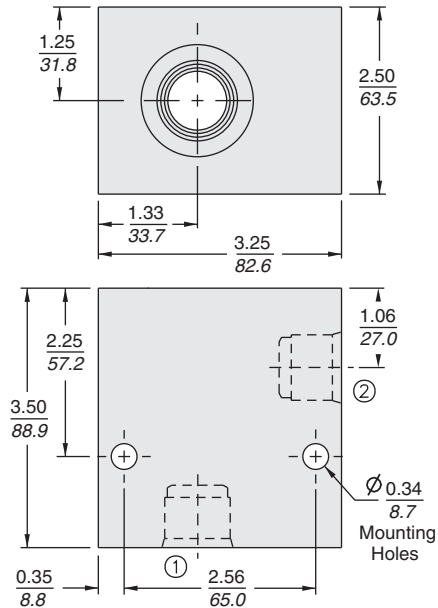
HYDRAFORCE STANDARD VALVE HOUSINGS			
MATERIAL	OPERATING PRESSURE	PORTS	MFG. LOCATION
Aluminum	210 bar (3000 psi)	SAE	U.S.
Aluminum	210 bar (3000 psi)	BSP	U.K.
Ductile Iron	350 bar (5000 psi)	SAE	U.S.
Ductile Iron	350 bar (5000 psi)	BSP	U.K.

Series 12 Valve Housings

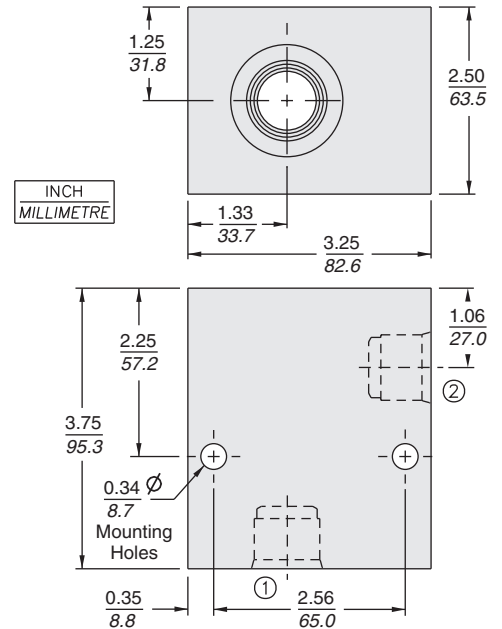
**2-WAY 12-L2
Aluminum**



**2-WAY
Ductile Iron, H-Series**



**2-WAY
Ductile Iron, H-Series, Variation A**



SERIES 12 2-WAY 12-L2 HOUSINGS*					
Code	Part No.	Material	Port 1	Port 2	Mfg. Loc.
08T	7020650	Alum.	SAE 08	SAE 08	U.S.
10T	7020660	Alum.	SAE 10	SAE 10	U.S.
12T	7020670	Alum.	SAE 12	SAE 12	U.S.

* Designed for use with PV72-20, PV72-21 and FR12-23 valves.

SERIES 12 2-WAY H-SERIES HOUSINGS					
Code	Part No.	Material	Port 1	Port 2	Mfg. Loc.
12HT	7158410	Duct. Iron	SAE12	SAE12	U.S.
8HB	7158460	Duct. Iron	1" BSP	1" BSP	U.K.

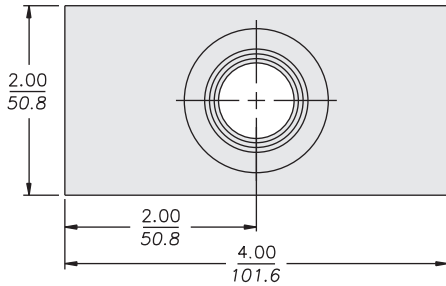
SERIES 12 2-WAY H-SERIES VARIATION A HOUSINGS*					
Code	Part No.	Material	Port 1	Port 2	Mfg. Loc.
10HT	7160010	Duct. Iron	SAE10	SAE10	U.S.
12HT	7160020	Duct. Iron	SAE 12	SAE12	U.S.
4HB	7160050	Duct. Iron	1/2" BSP	1/2" BSP	U.K.
6HB	7160060	Duct. Iron	3/4" BSP	3/4" BSP	U.K.

* Designed for use with HPV12-20 and HPV12-21 valves.

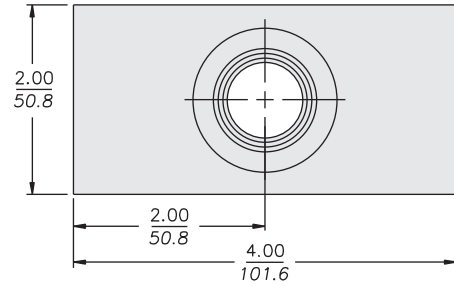
HYDRAFORCE STANDARD VALVE HOUSINGS			
MATERIAL	OPERATING PRESSURE	PORTS	MFG. LOCATION
Aluminum	210 bar (3000 psi)	SAE	U.S.
Aluminum	210 bar (3000 psi)	BSP	U.K.
Ductile Iron	350 bar (5000 psi)	SAE	U.S.
Ductile Iron	350 bar (5000 psi)	BSP	U.K.

Series 12 Valve Housings

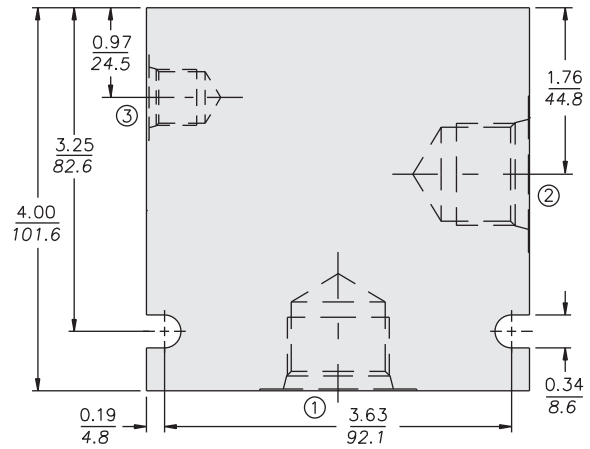
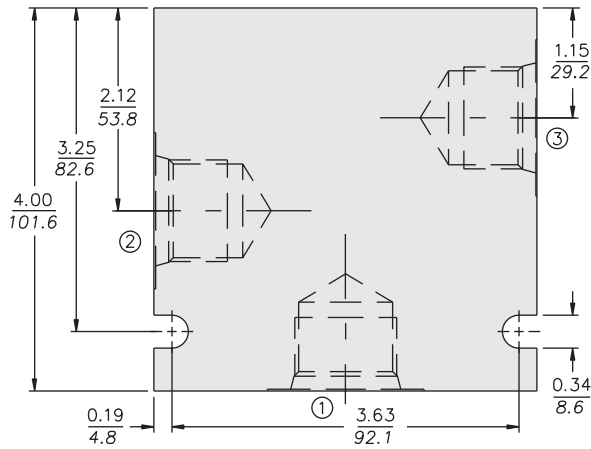
3-WAY
Aluminum or Ductile Iron



3-WAY Short
Aluminum or Ductile Iron



INCH
MILLIMETRE



SAE 12 Ported Housing shown

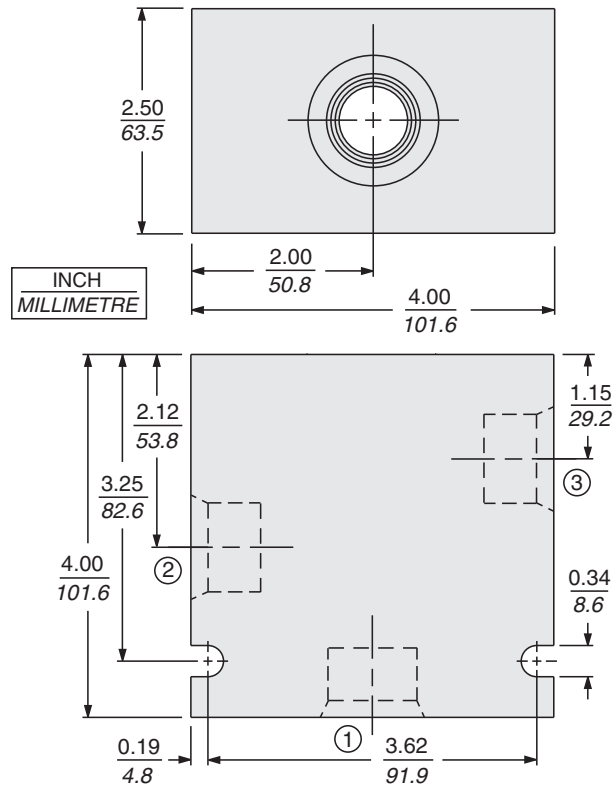
SERIES 12 3-WAY HOUSINGS						
Code	Part No.	Material	Port 1	Port 2	Port 3	Mfg. Loc.
8T	7022320	Alum.	SAE 8	SAE 8	SAE 8	U.S.
10T	7022330	Alum.	SAE 10	SAE 10	SAE 10	U.S.
12T	7022340	Alum.	SAE 12	SAE 12	SAE 12	U.S.
8TD	7155100	Duct. Iron	SAE 8	SAE 8	SAE 8	U.S.
12TD	7155120	Duct. Iron	SAE 12	SAE 12	SAE 12	U.S.
6B	7022620	Alum.	3/4" BSP	3/4" BSP	3/4" BSP	U.K.

SERIES 12 3-WAY SHORT HOUSINGS						
Code	Part No.	Material	Port 1	Port 2	Port 3	Mfg. Loc.
12T	7027400	Alum.	SAE 12	SAE 12	SAE 6	U.S.
12TD	7150620	Duct. Iron	SAE 12	SAE 12	SAE 6	U.S.
6BD	7150660	Duct. Iron	3/4" BSP	3/4" BSP	3/8" BSP	U.K.

HYDRAFORCE STANDARD VALVE HOUSINGS			
MATERIAL	OPERATING PRESSURE	PORTS	MFG. LOCATION
Aluminum	210 bar (3000 psi)	SAE	U.S.
Aluminum	210 bar (3000 psi)	BSP	U.K.
Ductile Iron	350 bar (5000 psi)	SAE	U.S.
Ductile Iron	350 bar (5000 psi)	BSP	U.K.

Series 12 Valve Housings

3-WAY Ductile Iron, H-Series

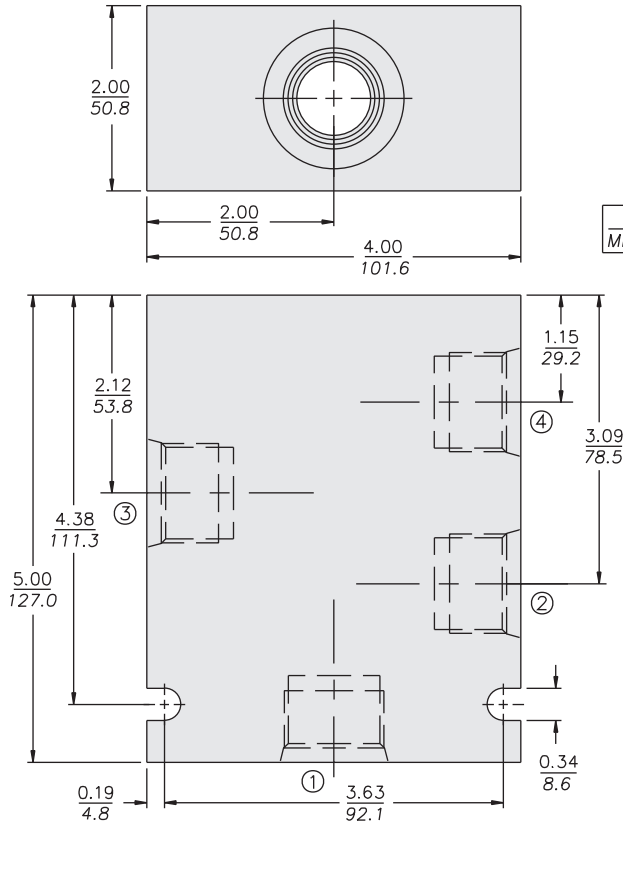


SERIES 12 3-WAY H-SERIES HOUSINGS						
Code	Part No.	Material	Port 1	Port 2	Port 3	Mfg. Loc.
8HT	7158500	Duct. Iron	SAE 8	SAE 8	SAE 8	U.S.
10HT	7158510	Duct. Iron	SAE 10	SAE 10	SAE 10	U.S.
12HT	7158520	Duct. Iron	SAE 12	SAE 12	SAE 12	U.S.
4HB	7158550	Duct. Iron	1/2" BSP	1/2" BSP	1/2" BSP	U.K.
6HB	7158560	Duct. Iron	3/4" BSP	3/4" BSP	3/4" BSP	U.K.

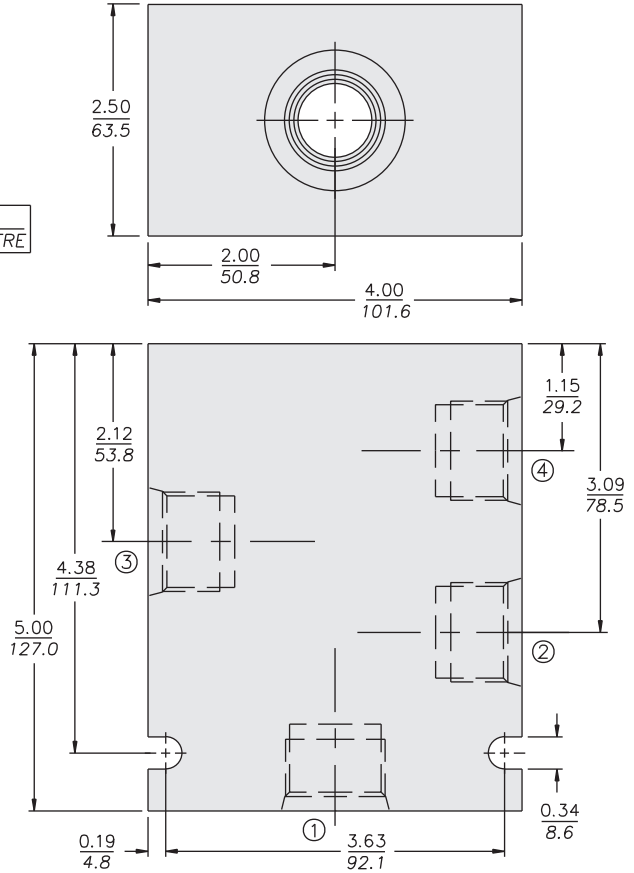
HYDRAFORCE STANDARD VALVE HOUSINGS			
MATERIAL	OPERATING PRESSURE	PORTS	MFG. LOCATION
Aluminum	210 bar (3000 psi)	SAE	U.S.
Aluminum	210 bar (3000 psi)	BSP	U.K.
Ductile Iron	350 bar (5000 psi)	SAE	U.S.
Ductile Iron	350 bar (5000 psi)	BSP	U.K.

Series 12 Valve Housings

4-WAY
Aluminum or Ductile Iron



4-WAY
Ductile Iron, H-Series



INCH
MILLIMETRE

SERIES 12 4-WAY HOUSINGS

Code	Part No.	Material	Port 1	Port 2	Port 3	Port 4	Mfg. Loc.
10T	7022480	Alum.	SAE 10	SAE 10	SAE 10	SAE 10	U.S.
12T	7022470	Alum.	SAE 12	SAE 12	SAE 12	SAE 12	U.S.
10T*	7022460	Alum.	SAE 6	SAE 10	SAE 10	SAE 10	U.S.
12T*	7022440	Alum.	SAE 6	SAE 12	SAE 12	SAE 12	U.S.
8TD	7150700	Duct. Iron	SAE 8	SAE 8	SAE 8	SAE 8	U.S.
12 TD	7150720	Duct. Iron	SAE 12	SAE 12	SAE 12	SAE 12	U.S.
6B	7022720	Alum.	3/4" BSP	3/4" BSP	3/4" BSP	3/4" BSP	U.K.
6BD	7150760	Duct. Iron	3/4" BSP	3/4" BSP	3/4" BSP	3/4" BSP	U.K.

*PD-TYPE BODY

SERIES 12 4-WAY H-SERIES HOUSINGS

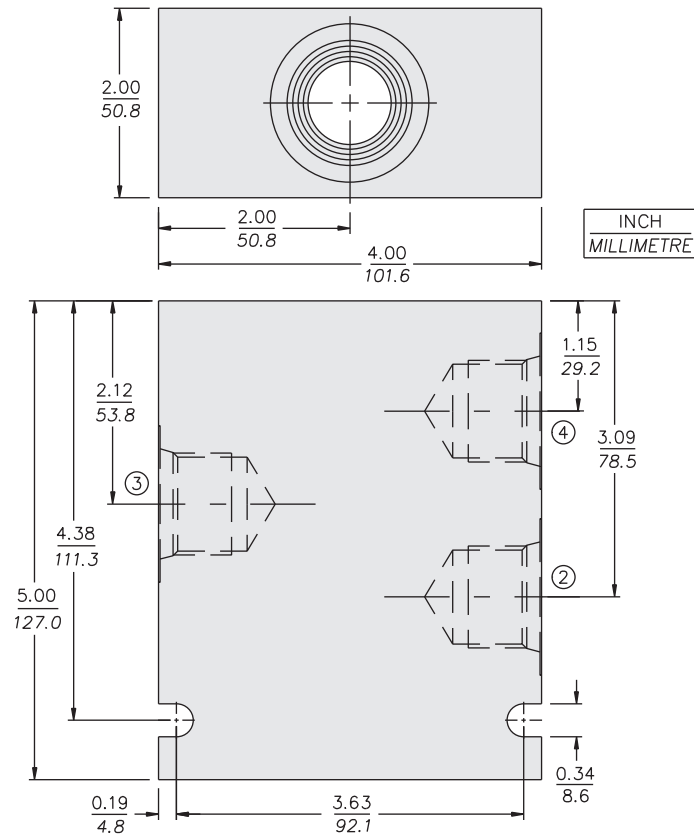
Code	Part No.	Material	Port 1	Port 2	Port 3	Port 4	Mfg. Loc.
12HT	7158620	Duct. Iron	SAE 12	SAE 12	SAE 12	SAE 12	U.S.
6HB	7158660	Duct. Iron	3/4" BSP	3/4" BSP	3/4" BSP	3/4" BSP	U.K.

HYDRAFORCE STANDARD VALVE HOUSINGS

MATERIAL	OPERATING PRESSURE	PORTS	MFG. LOCATION
Aluminum	210 bar (3000 psi)	SAE	U.S.
Aluminum	210 bar (3000 psi)	BSP	U.K.
Ductile Iron	350 bar (5000 psi)	SAE	U.S.
Ductile Iron	350 bar (5000 psi)	BSP	U.K.

Series 12 Valve Housings

4-WAY 3-PORT Special FD-Type, Aluminum or Ductile Iron



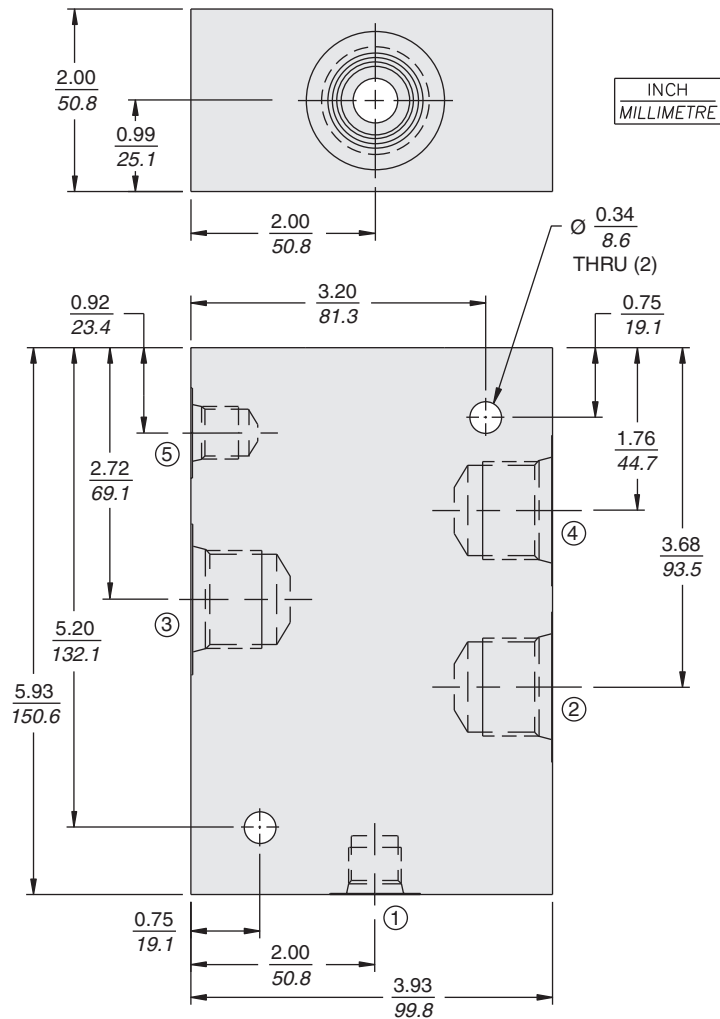
SAE 12 Ported Housing shown

SERIES 12 4-WAY 3-PORT SPECIAL FD-TYPE HOUSINGS							
Code	Part No.	Material	Port 1	Port 2	Port 3	Port 4	Mfg. Loc.
10T	7022450	Alum.	—	SAE 10	SAE 12	SAE 10	U.S.
12T	7022430	Alum.	—	SAE 12	SAE 12	SAE 12	U.S.
12TD	7150820	Duct. Iron	—	SAE 12	SAE 12	SAE 12	U.S.
6BD	7150860	Duct. Iron	—	3/4" BSP	3/4" BSP	3/4" BSP	U.K.

HYDRAFORCE STANDARD VALVE HOUSINGS			
MATERIAL	OPERATING PRESSURE	PORTS	MFG. LOCATION
Aluminum	210 bar (3000 psi)	SAE	U.S.
Aluminum	210 bar (3000 psi)	BSP	U.K.
Ductile Iron	350 bar (5000 psi)	SAE	U.S.
Ductile Iron	350 bar (5000 psi)	BSP	U.K.

Series 12 Valve Housings

5-WAY PD-Type, Aluminum

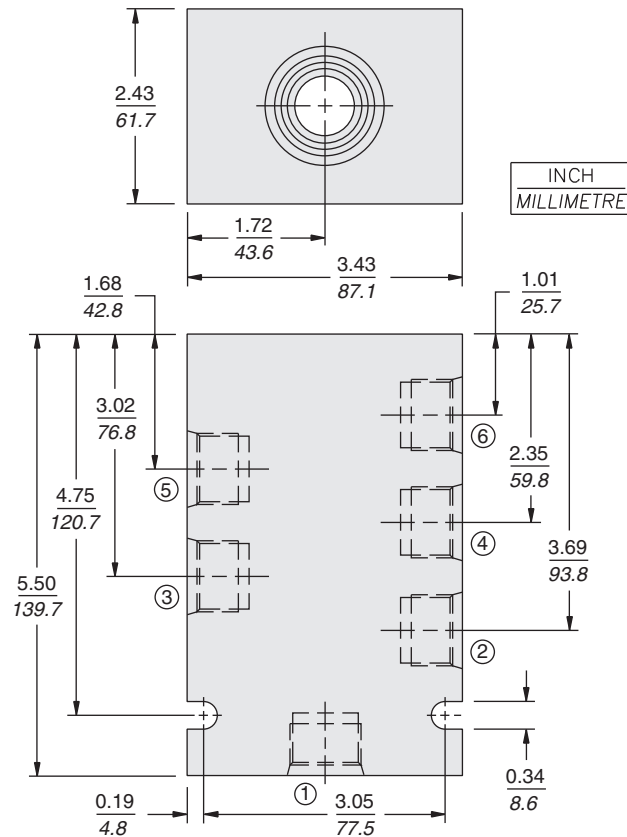


SERIES 12 5-WAY PD-TYPE HOUSINGS								
Code	Part No.	Material	Port 1	Port 2	Port 3	Port 4	Port 5	Mfg. Loc.
10T	7029900	Alum.	SAE 6	SAE 10	SAE 10	SAE 10	SAE 6	U.S.
12T	7029910	Alum.	SAE 6	SAE 12	SAE 12	SAE 12	SAE 6	U.S.

HYDRAFORCE STANDARD VALVE HOUSINGS			
MATERIAL	OPERATING PRESSURE	PORTS	MFG. LOCATION
Aluminum	210 bar (3000 psi)	SAE	U.S.
Aluminum	210 bar (3000 psi)	BSP	U.K.
Ductile Iron	350 bar (5000 psi)	SAE	U.S.
Ductile Iron	350 bar (5000 psi)	BSP	U.K.

Series 12 Valve Housings

6-WAY Aluminum

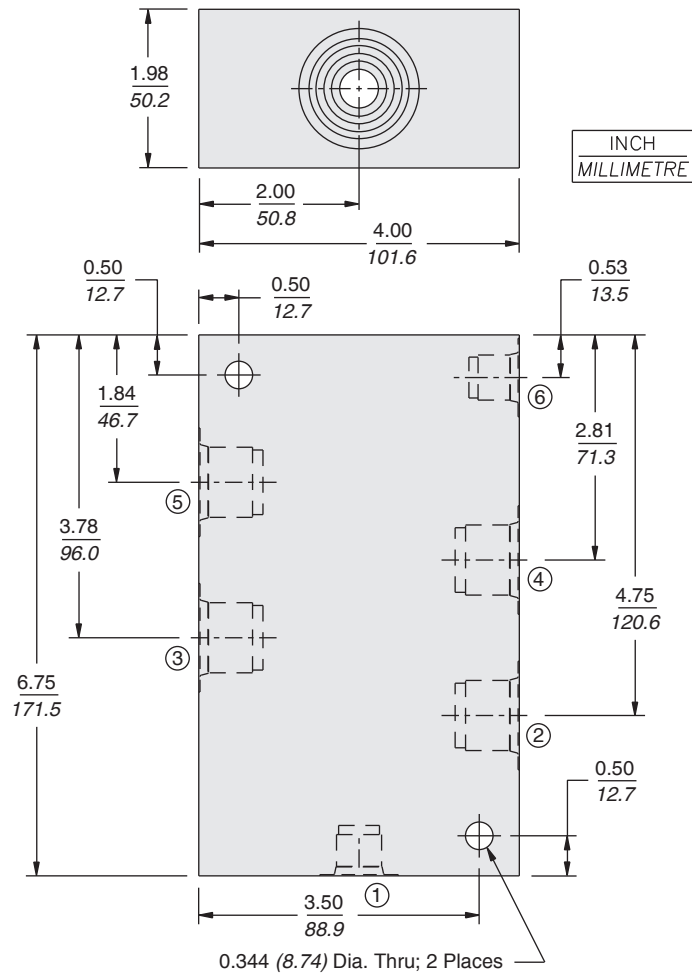


SERIES 12 6-WAY HOUSINGS									
Code	Part No.	Material	Port 1	Port 2	Port 3	Port 4	Port 5	Port 6	Mfg. Loc.
8T	7021470	Alum.	SAE 8	SAE 8	SAE 8	SAE 8	SAE 8	SAE 8	U.S.
10T	7021480	Alum.	SAE 10	SAE10	SAE 10	SAE 10	SAE 10	SAE10	U.S.

HYDRAFORCE STANDARD VALVE HOUSINGS			
MATERIAL	OPERATING PRESSURE	PORTS	MFG. LOCATION
Aluminum	210 bar (3000 psi)	SAE	U.S.
Aluminum	210 bar (3000 psi)	BSP	U.K.
Ductile Iron	350 bar (5000 psi)	SAE	U.S.
Ductile Iron	350 bar (5000 psi)	BSP	U.K.

Series 12 Valve Housings

6-WAY, 12-S6 Housing
PD/PE-Type, Ductile Iron



SERIES 12 6-WAY 12-S6 PD/PE-TYPE TEST HOUSING									
Code	Part No.	Material	Port 1	Port 2	Port 3	Port 4	Port 5	Port 6	Mfg. Loc.
10TD	7150250	Duct. Iron	SAE 6	SAE 10	SAE 10	SAE 10	SAE 10	SAE 6	U.S.

HYDRAFORCE STANDARD VALVE HOUSINGS			
MATERIAL	OPERATING PRESSURE	PORTS	MFG. LOCATION
Aluminum	210 bar (3000 psi)	SAE	U.S.
Aluminum	210 bar (3000 psi)	BSP	U.K.
Ductile Iron	350 bar (5000 psi)	SAE	U.S.
Ductile Iron	350 bar (5000 psi)	BSP	U.K.