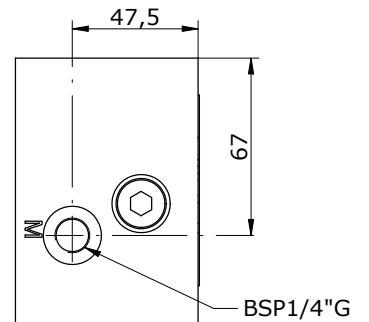
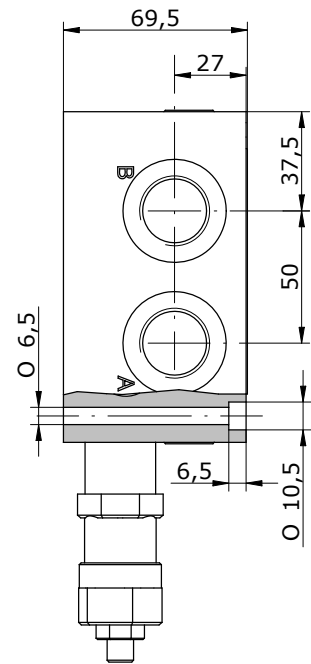
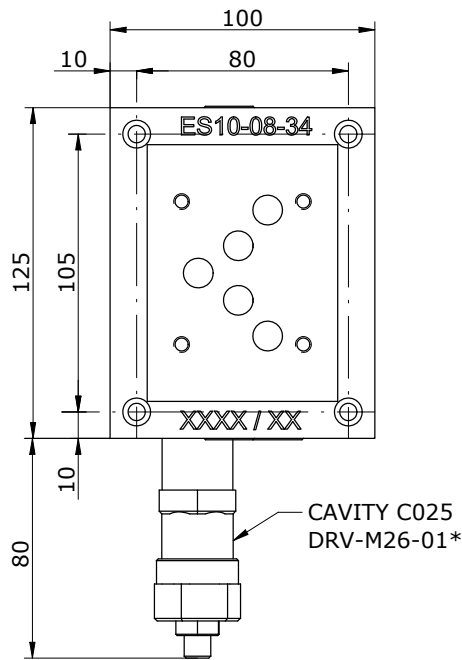
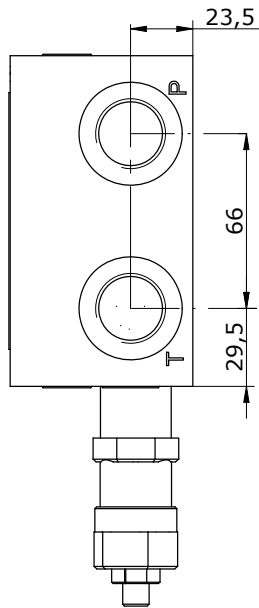
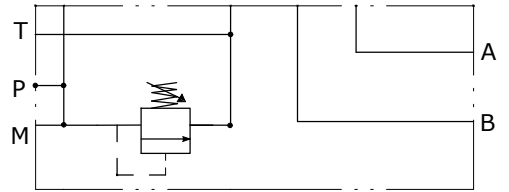


Hydraulic diagram



REGULATION TYPE



H

VITE CON CHIAVE
ESAGONALE (standard)

HEXAGONAL HEAD SCREW

CAVITY C025
DRV-M26-01*

BSP1/4"G

ES 10 - 08 - 34 - 1 - 3 - H

S = STEEL
A

34 = BSP 3/4G

1 = WITH RELIEF VALVE

OMIT
H = HEXAGONAL HEAD SCREW

3 = 75-250 BAR