



Overview

SV08-33-0-N-0

www:

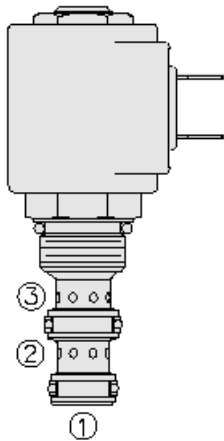
www.salushydraulics.pl

e-mail:

pl@salushydraulics.pl

shop/sklep:

www.salushydraulics.pl/sklep/



Description

A solenoid-operated, 3 port, direct-acting, spool-type, screw in hydraulic directional valve

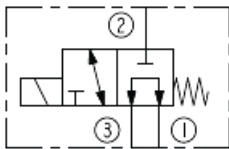
Operation

When de-energized, the SV08-33X allows flow from port 3 to port 1, while blocking flow at port 2. When energized, the cartridge's spool shifts to open from port 2 to port 1, while blocking flow out port 3

Features

- Continuous-duty rated coil.
- Hardened precision spool and cage for long life.
- Optional coil voltages and terminations.
- Efficient wet-armature construction.
- Cartridges are voltage interchangeable.
- All ports may be fully pressurized.
- Unitized, molded coil design.
- Manual override option.
- Optional waterproof E&E Coils rated up to IP69K.
- Industry common cavity "Compact size."

Symbol



Ratings

Pressure Ratings

Pressure rating	207 bar (3000 psi)	
Proof pressure	241 bar (3500 psi)	- Note: For SV08-30 only
Burst pressure	620 bar (9000 psi)	- Note: For SV08-30 only

Flow Ratings

Flow rating	- Note: See "performance range" (sheet 2)	
Maximum internal leakage	82 ml/min (5 in ³ /min)	- Note: At 207 bar (3000 psi)

Temperature Ratings

Operating fluid temperature	-40 to 100 °C (-40 to 212 °F)	- Note: With buna N seals
	-26 to 204 °C (-15 to 400 °F)	- Note: With fluorocarbon seals
	-54 to 107 °C (-65 to 225 °F)	- Note: With polyurethane seals
Storage temperature	-40 to 70 °C (-40 to 160 °F)	
Ambient temperature	-40 to 70 °C (-40 to 160 °F)	

Operating Parameters

Fluids	Mineral based or synthetic hydraulic fluid with lubricating properties
Fluid viscosity range	7.4 to 420 cSt
Maximum operating contamination level	20/18/14 per ISO 4406

Properties

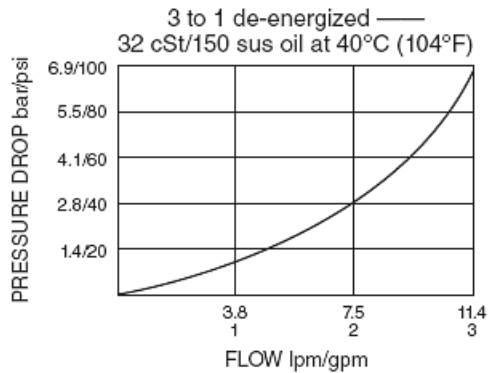
Unit weight	0.09 kg (0.20 lb)
Internal wetted surface area	103 cm ² (16 in ²)

Electrical Parameters

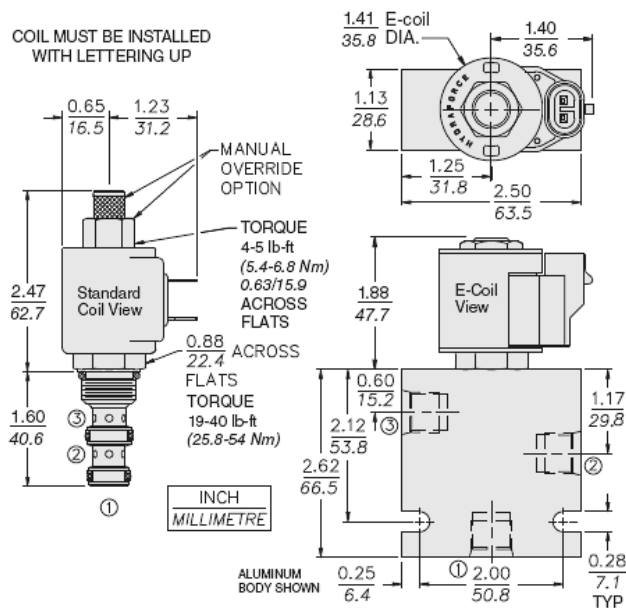
Minimum pull in voltage	10.2 Vdc	- Note: 12 Vdc coil
-------------------------	----------	---------------------



Performance



Dimensions



Materials

Materials

Cartridge: Weight: 0.13 kg (0.28 lb); Steel with hardened work surfaces. Zinc-plated exposed surfaces; Buna N O-rings and back-ups standard.

Standard Ported Body: Weight: 0.27 kg (0.60 lb); Anodized high-strength 6061 T6 aluminum alloy, rate to 207 bar (3000 psi); Ductile iron bodies available; dimensions may differ.

Standard D-Coil: Weight each: 0.11 kg (0.25 lb); Unitized thermoplastic encapsulated, Class H high temperature magnet wire.

E-coil: Weight: 0.14 kg (0.3 lb); Perfect wound, fully encapsulated with rugged external metal shell; Rated up to IP69K with integral connectors.

Installation Specifications

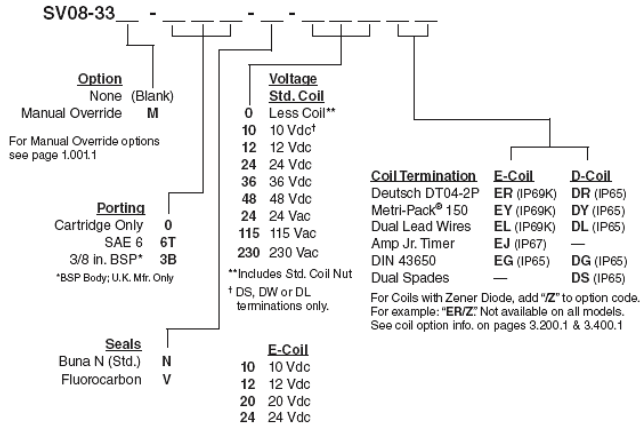
Cavity	VC08-3
Cartridge installation torque	25.8 to 28.5 N-m (19 to 21 ft-lb)
Maximum allowable torque	54.2 N-m (40 ft-lb)
Coil nut torque	5.4 to 6.8 N-m (4 to 5 ft-lb)
Orientation restriction	None

Accessories

Seal kit	SK08-3X-MM	- Note: X = seal option
Housings		
Coils		



Order Code



POSITION	CODE	DESCRIPTION
		SV08-33E-H-J-L
E		Manual Override
E	BLANK	NONE
E	M	Two Position Override, Red Knurled Knob
H		Line Body
H	0	No Body
H	4T	Aluminum SAE 4
H	6T	Aluminum SAE 6
H	6TD	Ductile Iron SAE 6
H	8TD	Ductile Iron SAE 8
H	3B	Aluminum BSPP 3/8" (3)
H	3BD	Ductile Iron BSPP 3/8" (3)
J		Seal
J	N	Buna-N
J	V	Fluorocarbon
J	P	Polyurethane
J	U	PPDI Urethane
L		Coil
L	0	No Coil
L	10DL	10 VDC, D-Coil, Dual Lead Wires
L	10DR/D	10 VDC, D-Coil, Deutsch with Diode
L	10DS	10 VDC, D-Coil, Dual Spade
L	10EL	10 VDC, E-Coil, Dual Lead Wires, 18 inches long
L	10EL/36	10 VDC, E-Coil, Dual Lead Wires, 36 inches long
L	10ER	10 VDC, E-Coil, Deutsch
L	10ER/Z	10 VDC, E-Coil, Deutsch with Zener Diode
L	12DG	12 VDC, D-Coil, DIN 43650
L	12DL	12 VDC, D-Coil, Dual Lead Wires, 18 inches long
L	12DL/36	12 VDC, D-Coil, Dual Lead Wires, 36 inches long
L	12DL/W	12 VDC, D-Coil, Dual Lead Wires with Weatherpak
L	12DL/W/D	12 VDC, D-Coil, Dual Lead Wires with Weatherpak with Diode
L	12DR	12 VDC, D-Coil, Deutsch



POSITION	CODE	DESCRIPTION
L	12DR/D	12 VDC, D-Coil, Deutsch with Diode
L	12DR/Z	12 VDC, D-Coil, Deutsch with Zener Diode
L	12DS	12 VDC, D-Coil, Dual Spade
L	12EG	12 VDC, E-Coil, DIN 43650
L	12EG/Z	12 VDC, E-Coil, DIN 43650 with Zener Diode
L	12EJ	12 VDC, E-Coil, AMP Jr.
L	12EJ/Z	12 VDC, E-Coil, AMP Jr. with Zener Diode
L	12EL	12 VDC, E-Coil, Dual Lead Wires, 18 inches long
L	12EL/36	12 VDC, E-Coil, Dual Lead Wires, 36 inches long
L	12EL/Z	12 VDC, E-Coil, Dual Lead Wires with Zener Diode
L	12ER	12 VDC, E-Coil, Deutsch
L	12ER/Z	12 VDC, E-Coil, Deutsch with Zener Diode
L	12EY	12 VDC, E-Coil, Metri-Pack 150
L	12EY/Z	12 VDC, E-Coil, Metri-Pack 150 with Zener Diode
L	20DG	20 VDC, D-Coil, DIN 43650
L	20DS	20 VDC, D-Coil, Dual Spade
L	20ER	20 VDC, E-Coil, Deutsch
L	20ER/Z	20 VDC, E-Coil, Deutsch with Zener Diode
L	24AG	24 VDC, D-Coil, DIN 43650
L	24AP	24 VDC, D-Coil, 1/2" Conduit and Dual Lead Wires
L	24DG	24 VDC, D-Coil, DIN 43650
L	24DL	24 VDC, D-Coil, Dual Lead Wires, 18 inches long
L	24DL/36	24 VDC, D-Coil, Dual Lead Wires, 36 inches long
L	24DL/W	24 VDC, D-Coil, Dual Lead Wires with Weatherpak
L	24DR	24 VDC, D-Coil, Deutsch
L	24DR/D	24 VDC, D-Coil, Deutsch with Diode
L	24DR/Z	24 VDC, D-Coil, Deutsch with Zener Diode
L	24DS	24 VDC, D-Coil, Dual Spade
L	24EG	24 VDC, E-Coil, DIN 43650
L	24EG/Z	24 VDC, E-Coil, DIN 43650 with Zener Diode
L	24EJ	24 VDC, E-Coil, AMP Jr.
L	24EL/D	24 VDC, E-Coil, Dual Lead Wires with Diode
L	24ER	24 VDC, E-Coil, Deutsch
L	24ER/Z	24 VDC, E-Coil, Deutsch with Zener Diode
L	24EY	24 VDC, E-Coil, Metri-Pack 150
L	24EY/Z	24 VDC, E-Coil, Metri-Pack 150 with Zener Diode
L	36DG	36 VDC, D-Coil, DIN 43650
L	36DS	36 VDC, D-Coil, Dual Spade
L	115AG	115 VAC, D-Coil, DIN 43650
L	115AP	115 VAC, D-Coil, 1/2" Conduit and Dual Lead Wires
L	230AG	230 VAC, D-Coil, DIN 43650
L	230AP	230 VAC, D-Coil, 1/2" Conduit and Dual Lead Wires