



## Overview

SV10-22-0-N-0

www: [www.salushydraulics.pl](http://www.salushydraulics.pl)  
 e-mail: [pl@salushydraulics.pl](mailto:pl@salushydraulics.pl)  
 shop/sklep: [www.salushydraulics.pl/sklep/](http://www.salushydraulics.pl/sklep/)

### Description

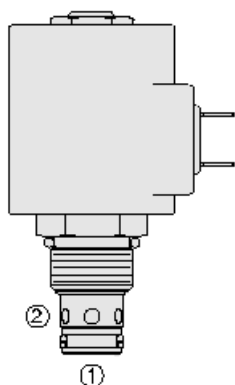
A solenoid-operated, 2 way, normally closed, poppet-type, screw-in hydraulic cartridge valve, with standard (sv10-22) and manual override (mo) options. This valve is intended for low leakage blocking and load holding applications

### Operation

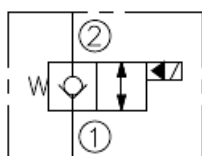
When de-energized, the SV10-22X acts as a check valve, allowing flow from port 1 to port 2, while blocking flow from port 2 to port 1. When energized, the poppet lifts to open the port 2 to port 1 flow path, while also allowing flow from port 1 to port 2

### Features

- Continuous-duty rated coil.
- Hardened seat for long life and low leakage.
- Optional coil voltages and terminations.
- Efficient wet-armature construction.
- Cartridges are voltage interchangeable.
- Unitized, molded coil design.
- Manual override option.
- Optional waterproof E-Coils rated up to IP69K.
- Industry common cavity.



## Symbol



## Ratings

### Pressure Ratings

Pressure rating	241 bar (3500 psi)	
Proof pressure	345 bar (5000 psi)	- Note: (sv10-22 only)
Burst pressure	896 bar (13000 psi)	- Note: (sv10-22)

### Flow Ratings

Flow rating	- Note: See performance graph	
Maximum internal leakage	5 drops/min	- Note: At 207 bar (3000 psi)

### Temperature Ratings

Operating fluid temperature	-40 to 100 °C (-40 to 212 °F)	- Note: With buna N seals
	-26 to 204 °C (-15 to 400 °F)	- Note: With fluorocarbon seals
	-54 to 107 °C (-65 to 225 °F)	- Note: With polyurethane seals
Storage temperature	-40 to 71 °C (-40 to 160 °F)	
Ambient temperature	-40 to 71 °C (-40 to 160 °F)	

## Operating Parameters

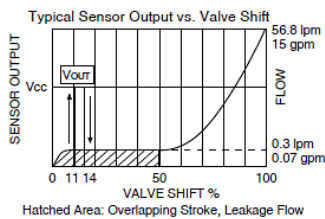
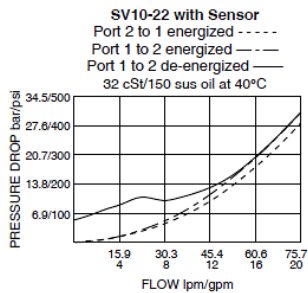
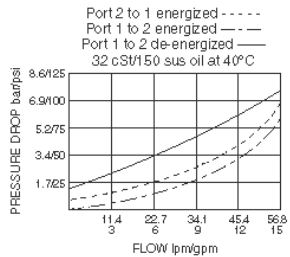
Fluids	Mineral based or synthetic hydraulic fluid with lubricating properties
Fluid viscosity range	7.4 to 420 cSt
Maximum operating contamination level	20/18/14 per ISO 4406

## Properties

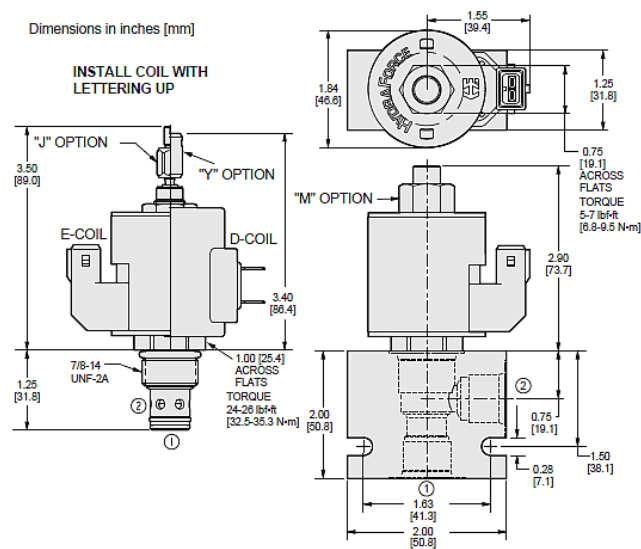
Unit weight	0.17 kg (0.37 lb)	- Note: (sv10-22/y)
	0.17 kg (0.38 lb)	- Note: (sv10-22j)
	0.19 kg (0.41 lb)	- Note: (sv10-22m)
Internal wetted surface area	111 cm <sup>2</sup> (17.2 in <sup>2</sup> )	- Note: (sv10-22)
	118 cm <sup>2</sup> (18.3 in <sup>2</sup> )	- Note: (sv10-22m)
	132 cm <sup>2</sup> (20.4 in <sup>2</sup> )	- Note: (sv10-22j/y)



## Performance



## Dimensions



## Materials

### Materials

**Cartridge:** Weight: 0.16 kg. (0.35 lbs.); Steel with hardened work surfaces. Zinc-plated exposed surfaces; Buna N O-rings and polyester elastomer back-up standard.

**Standard Ported Body:** Weight: 0.16 kg. (0.35 lbs.); Anodized high-strength 6061 T6 aluminum alloy, rated to 207 bar (3000 psi); Ductile iron bodies available; dimensions may differ.

**Standard D-Coil:** Weight each: 0.27 kg. (0.60 lbs.); Unitized thermoplastic encapsulated, Class H high temperature magnet wire.

**E-Coil:** Weight: 0.41 kg. (0.9 lbs.); Perfect wound, fully encapsulated with rugged external metal shell; Rated up to IP69K with integral connectors.



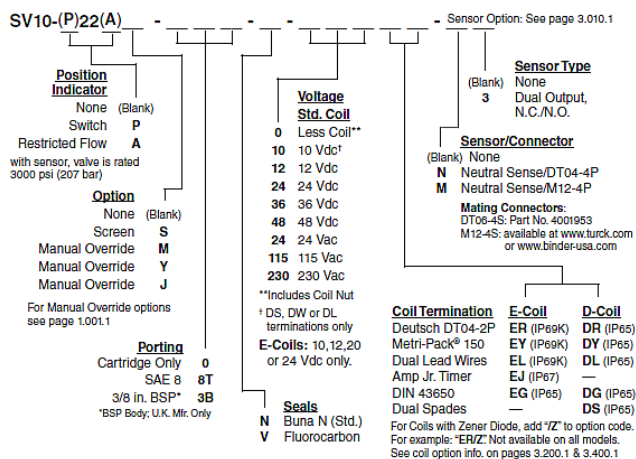
## Installation Specifications

Cavity	VC10-2
Cartridge installation torque	32.5 to 35.3 N-m (24 to 26 ft-lb)
Maximum allowable torque	54 N-m (40 ft-lb)
Coil nut torque	6.8 to 9.5 N-m (5 to 7 ft-lb)
Orientation restriction	None

## Accessories

Seal kit	SK10-2X-T	- Note: (x = N and V seal option)
Housings		
Coils		

## Order Code



POSITION	CODE	DESCRIPTION
		SV10-A22AEG-H-J-L-M
A		Position Sensor Option
A	22	Standard
A	P22A	Position Indicator Switch with Restricted Flow
E		Manual Override
E	BLANK	NONE
E	J	Momentary Pull Override, #10-32 threads
E	M	Two Position Override, Red Knurled Knob
E	Y	Momentary Pull Override, Red Knurled Knob
G		Screen
G	BLANK	NONE
G	S	100 Mesh Screen
H		Line Body
H	0	No Body
H	6T	Aluminum SAE 6
H	8T	Aluminum SAE 8
H	6TD	Ductile Iron SAE 6
H	8TD	Ductile Iron SAE 8
H	2B	Aluminum BSPP 1/4" (2)
H	3B	Aluminum BSPP 3/8" (3)
H	4B	Aluminum BSPP 1/2" (4)
H	4BD	Ductile Iron BSPP 1/2" (4)



POSITION	CODE	DESCRIPTION
J		Seal
J	N	Buna-N
J	V	Fluorocarbon
J	P	Polyurethane
J	U	PPDI Urethane
L		Coil
L	0	No Coil
L	10DG	10 VDC, D-Coil, DIN 43650
L	10DL	10 VDC, D-Coil, Dual Lead Wires
L	10DR/D	10 VDC, D-Coil, Deutsch with Diode
L	10DS	10 VDC, D-Coil, Dual Spade
L	10EL	10 VDC, E-Coil, Dual Lead Wires
L	10ER	10 VDC, E-Coil, Deutsch
L	10ER/Z	10 VDC, E-Coil, Deutsch with Zener Diode
L	12DG	12 VDC, D-Coil, DIN 43650
L	12DL	12 VDC, D-Coil, Dual Lead Wires, 18 inches long
L	12DL/36	12 VDC, D-Coil, Dual Lead Wires, 36 inches long
L	12DL/W	12 VDC, D-Coil, Dual Lead Wires with Weatherpak
L	12DL/W/D	12 VDC, D-Coil, Dual Lead Wires with Weatherpak with Diode
L	12DR	12 VDC, D-Coil, Deutsch
L	12DR/D	12 VDC, D-Coil, Deutsch with Diode
L	12DR/Z	12 VDC, D-Coil, Deutsch with Zener Diode
L	12DS	12 VDC, D-Coil, Dual Spade
L	12EG	12 VDC, E-Coil, DIN 43650
L	12EJ	12 VDC, E-Coil, AMP Jr.
L	12EL	12 VDC, E-Coil, Dual Lead Wires, 18 inches long
L	12EL/36	12 VDC, E-Coil, Dual Lead Wires, 36 inches long
L	12EL/W/Z	12 VDC, E-Coil, Dual Lead Wires with WeatherPak and Zener Diode
L	12EL/Z	12 VDC, E-Coil, Dual Lead Wires with Zener Diode
L	12ER	12 VDC, E-Coil, Deutsch
L	12ER/Z	12 VDC, E-Coil, Deutsch with Zener Diode
L	12EY	12 VDC, E-Coil, Metri-Pack 150
L	12EY/Z	12 VDC, E-Coil, Metri-Pack 150 with Zener Diode
L	20DR/D	20 VDC, D-Coil, Deutsch with Diode
L	20DS	20 VDC, D-Coil, Dual Spade
L	20ER	20 VDC, E-Coil, Deutsch
L	24AG	24 VDC, D-Coil, DIN 43650
L	24AP	24 VDC, D-Coil, 1/2" Conduit and Dual Lead Wires
L	24DG	24 VDC, D-Coil, DIN 43650
L	24DL	24 VDC, D-Coil, Dual Lead Wires
L	24DL/W	24 VDC, D-Coil, Dual Lead Wires with Weatherpak
L	24DL/W/D	24 VDC, D-Coil, Dual Lead Wires with Weatherpak with Diode
L	24DP	24 VDC, D-Coil, 1/2" Conduit and Dual Lead Wires



POSITION	CODE	DESCRIPTION
L	24DR	24 VDC, D-Coil, Deutsch
L	24DR/D	24 VDC, D-Coil, Deutsch with Diode
L	24DS	24 VDC, D-Coil, Dual Spade
L	24EG	24 VDC, E-Coil, DIN 43650
L	24EJ	24 VDC, E-Coil, AMP Jr.
L	24EL	24 VDC, E-Coil, Dual Lead Wires, 18 inches long
L	24EL/36	24 VDC, E-Coil, Dual Lead Wires, 36 inches long
L	24EL/W/Z	24 VDC, E-Coil, Dual Lead Wires with WeatherPak and Zener Diode
L	24ER	24 VDC, E-Coil, Deutsch
L	24ER/Z	24 VDC, E-Coil, Deutsch with Zener Diode
L	24EY	24 VDC, E-Coil, Metri-Pack 150
L	24EY/Z	24 VDC, E-Coil, Metri-Pack 150 with Zener Diode
L	36DS	36 VDC, D-Coil, Dual Spade
L	115AG	115 VAC, D-Coil, DIN 43650
L	115AP	115 VAC, D-Coil, 1/2" Conduit and Dual Lead Wires
L	230AG	230 VAC, D-Coil, DIN 43650
L	230AP	230 VAC, D-Coil, 1/2" Conduit and Dual Lead Wires
M		Position Sensor Termination
M	BLANK	No Position Sensor
M	M3	Neutral Sense, M12-4P, Dual Output NC/NO
M	N3	Neutral Sense, DT04-4P, Dual Output NC/NO