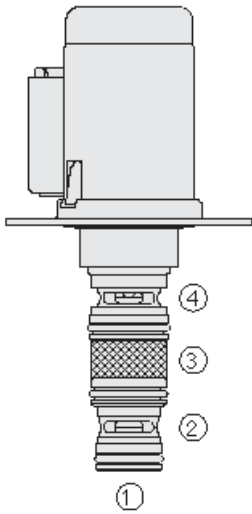




Overview

SV98-T40-0-N-12DRZ

www: www.salushydraulics.pl
 e-mail: pl@salushydraulics.pl
 shop/sklep: www.salushydraulics.pl/sklep/



Description

This valve is a direct-acting, spool-type, 2-position, 4-way directional control valve. It is a drop-in, flange mounted, cartridge type valve for use with general purpose hydraulic fluids. Pressure at the tank port (port 1) should not exceed 50 psi [3.4 bar] for proper valve function. The coil is an integral part of the valve and is not serviceable

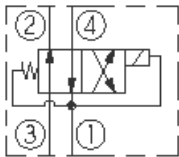
Operation

When de-energized, the SV98-T40 allows flow from port 3 to port 2 and from port 4 to port 1. When energized, the cartridge spool shifts to allow flow from port 3 to port 4 and from port 2 to port 1.

Features

- o Economical drop-in style.
- o Integral waterproof coil standard; see page 3.400.1_pdf for a description
- o of tests conducted to verify coil waterproofing.
- o 12 VDC or 24 VDC coils.
- o Several push-on termination options.

Symbol



Ratings

Pressure Ratings

Pressure rating 30 bar (435 psi)

Flow Ratings

Flow rating 30 lpm (8 gpm)
 Maximum internal leakage 70 ml/min (4.3 in³/min) - **Note:** Max from inlet to tank at and 30 bar (435 psi) 40 °C (248 °F)

Temperature Ratings

Operating fluid temperature -40 to 149 °C (-40 to 300 °F) - **Note:** HNBR seals
 Storage temperature -40 to 70 °C (-40 to 160 °F)
 Ambient temperature -40 to 90 °C (-40 to 194 °F)

Other Ratings

Corrosion protection 960 hour Salt-spray
 Environmental rating IP69K - **Note:** Deutsch and Metri-pack
 IP65 - **Note:** Amp
 Response 50 ms - **Note:** First indication of change of state with 100% voltage and flow rating. Pull-in.
 30 ms - **Note:** First indication of change of state with 100% voltage and flow rating. Drop-out.
 Minimum pull-in voltage 80% of nominal voltage - **Note:** At 30 bar (435 psi), at 90 °C (194 °F)

Operating Parameters

Fluids Mineral based or synthetic hydraulic fluid with lubricating properties.
 Fluid viscosity range 7.4 to 420 cSt
 Maximum operating contamination level 20/18/14 per ISO4406



Properties

Unit weight	0.26 kg (0.57 lb)	- Note: Including coil
Internal wetted surface area	180.13 cm ² (27.92 in ²)	

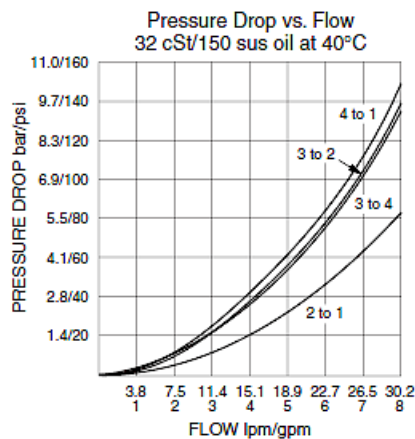
Electrical Parameters

Valve inductance	92 mH	- Note: 12 V coil
	276 mH	- Note: 24 V coil

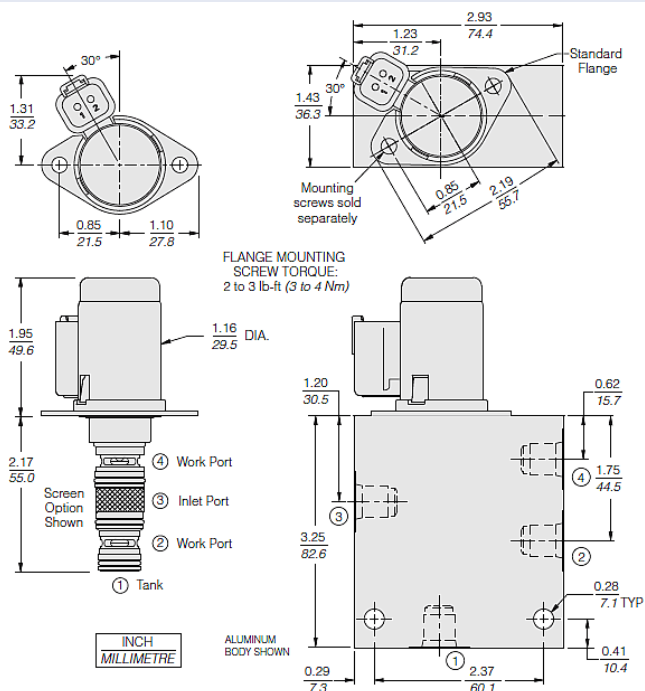
Materials

Cartridge	Steel with hardened work surfaces, zinc plated exposed surfaces
O-rings	HNBR
Coil	Coil is encapsulated, class h high temperature magnetic wire, shell is zinc nickel plated
Standard ported body	Anodized high strength 6061 t6 aluminum alloy

Performance



Dimensions





Installation Specifications

Cavity	VC-T004
Installation type	Flange mounted (see "drop-in coil outline drawing" for flange options).
Orientation restrictions	None
Mounting screws	M5 X 8, HF P/N: 4000039 (sold separately)
Mounting screw torque	3 to 4 N-m (2.2 to 3.0 ft-lb)

Accessories

Seal kit	SK98-T4X	- Note: X = Seal option
Housings		

Order Code

SV98-T40

Flange	(Blank)	Diode	(Blank)
Standard		None	
Lock Down	L	Z	Bidirectional Zener Diode
Option	(Blank)	Termination	(Blank)
None		DJ	Amp Junior Timer
233 µm screen on inlet port 3	S	DY2A	Metri-Pack® 150.2A
Porting		DR	Deutsch DT04-2P
Cartridge Only	0	Voltage	
SAE 8	8T	12	12 Vdc
Seals		24	24 Vdc
Hydrogenated Nitrile (HNBR)	N		

POSITION	CODE	DESCRIPTION
		SV98-T40DG-H-J-KL
D		Flange
D	BLANK	Standard
D	L	Lock Down
G		Screen
G	BLANK	None
G	S	142 micron Screen
H		Line Body
H	0	No Body
H	8T	Aluminum SAE 8
H	2B	Aluminum BSPP 1/4" (2)
J		Seal
J	N	HNBR
K		Coil Voltage
K	12	12 VDC
K	24	24 VDC
L		Coil Termination
L	DJ	D-Coil, AMP Jr.
L	DJ/Z	D-Coil, AMP Jr. with Zener Diode
L	DR	D-Coil, Deutsch
L	DR/Z	D-Coil, Deutsch with Zener Diode
L	DY2A	D-Coil, Metri-Pack 150.2
L	DY2A/Z	D-Coil, Metri-Pack 150.2 with Zener Diode