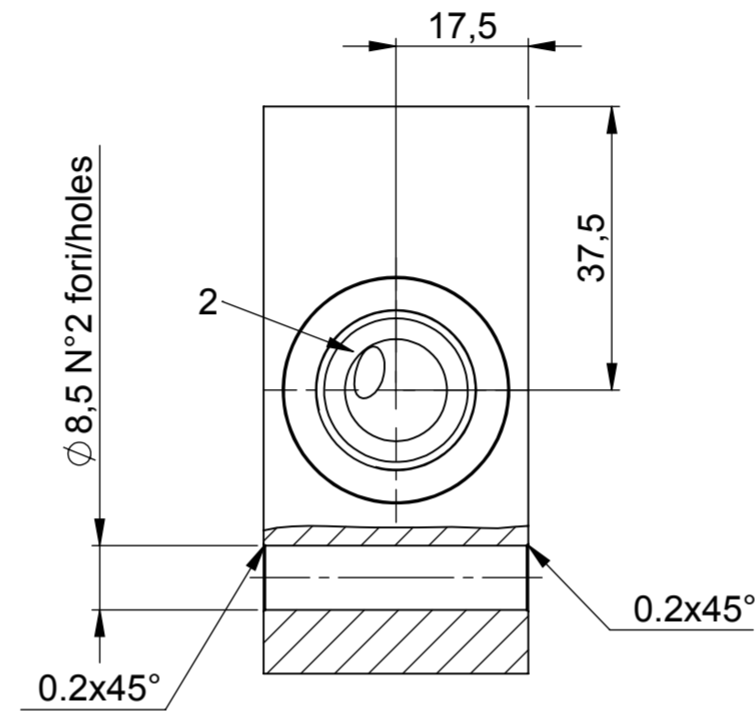
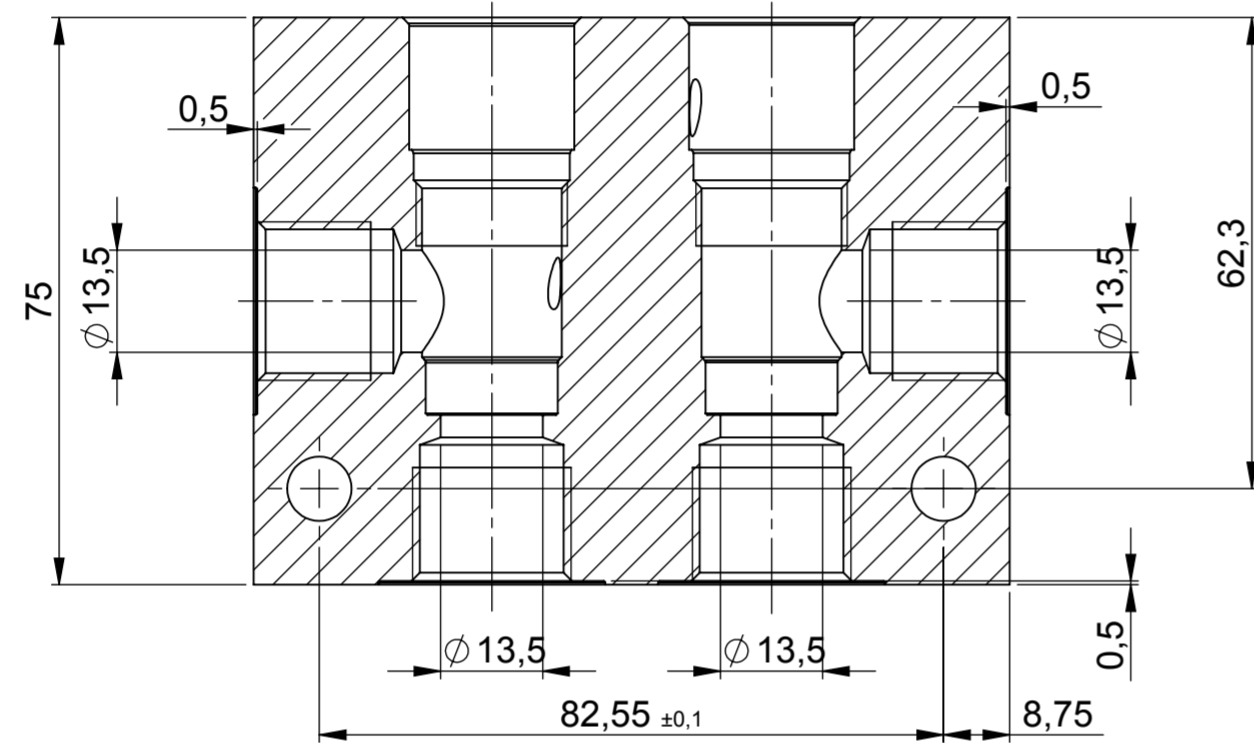
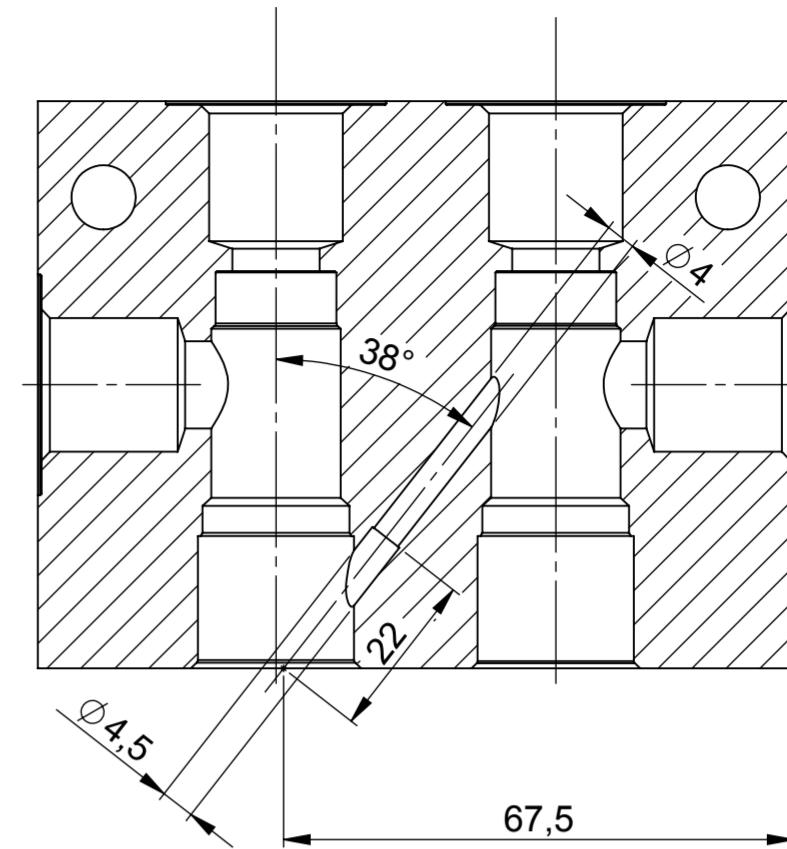


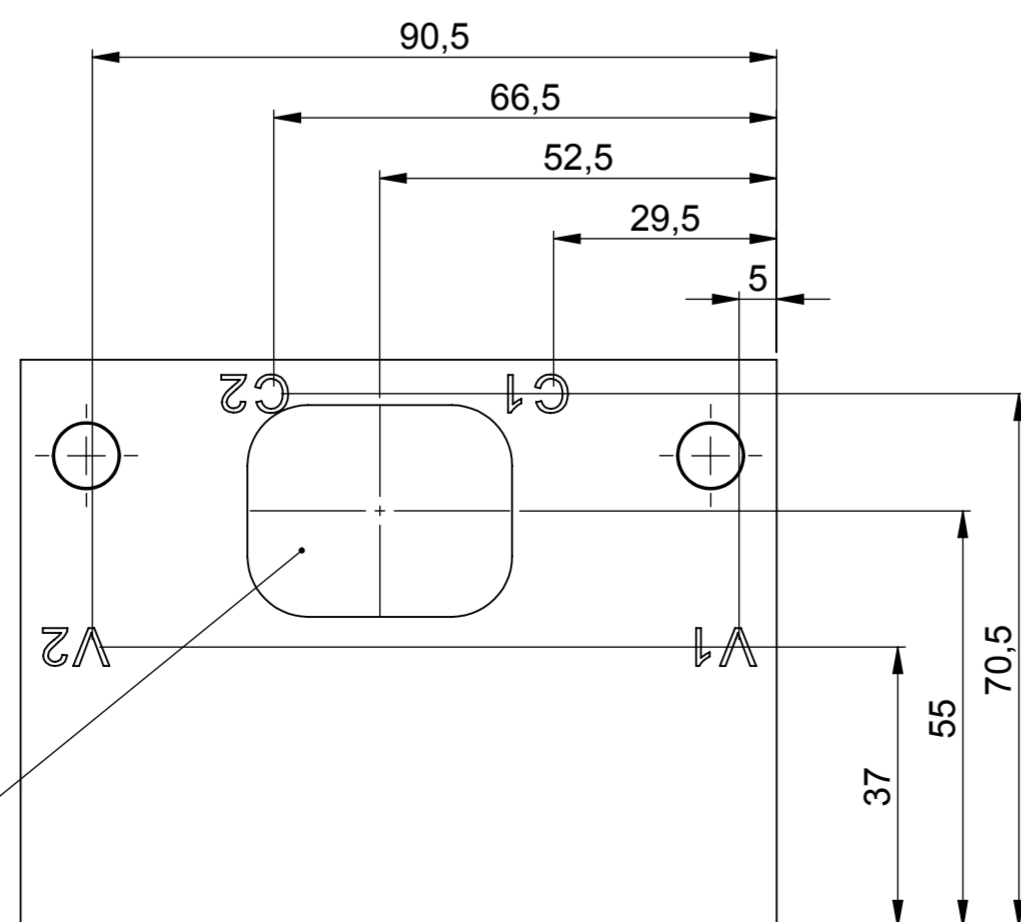
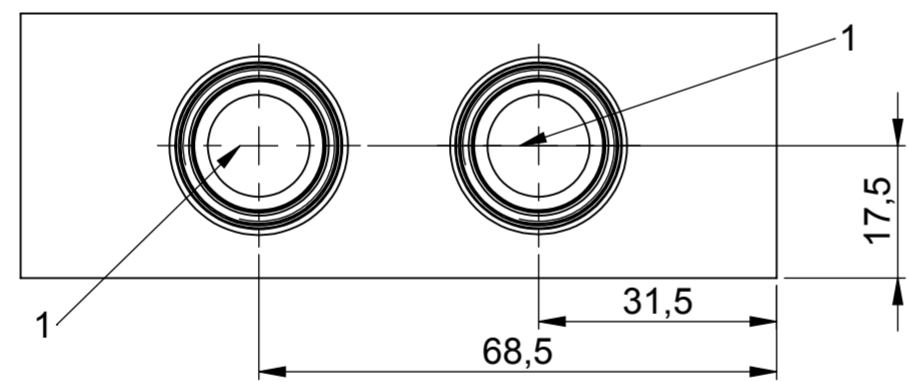
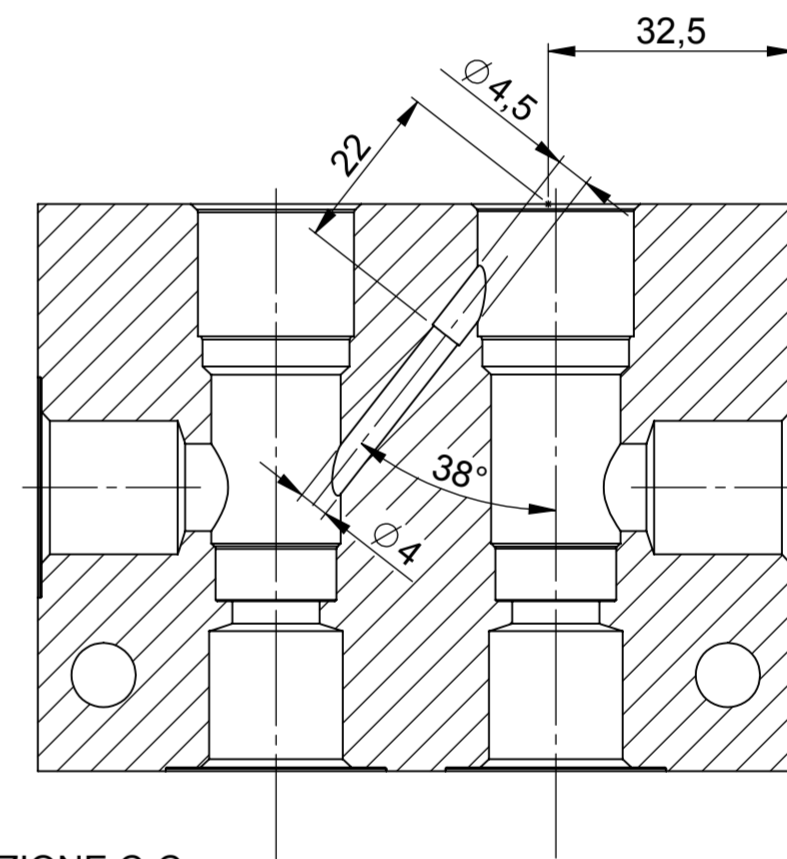
SEZIONE A-A



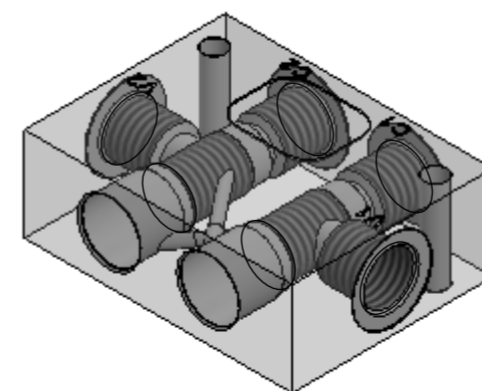
SEZIONE B-B



SEZIONE C-C



√ Ra 3.2 (√)



Blocchetto	
INGOMBRO	Valore
H	100
L	35
P	75

TABELLA FORI			
Pos.	Codice	Q.tà	Descrizione
1	CACMSUNM20X1515	2	CAVITA' 3V M20X1.5 (SUN T-11A)
2	VI001G120000000	4	ATTACCO G 1/2 ISO 1179-1

UNLESS OTHERWISE SPECIFIED

DIMENSIONS mm ANGLE PROJECTION

TOLERANCES ACCORDING TO (ISO2768-mk)

BASE SHAFT (h13)

BASE HOLE (H13)

LINEAR DIMENSIONS TILL (0.5 +/- 0.05)

ANGULAR DIMENSIONS TILL (0.5 +/- 0.05)

FILLETS AND CHAMFERS TILL (0.5 +/- 0.05)

DEBUR AND BREAK SHARP EDGES (0.1 +/- 0.05)

TITLE

C GI A D 11 L PIL 12

MATERIAL HEAT TREATMENTS SURFACE TREATMENTS HARDNESS

11SMnPb37 UNI EN 10277-3 (1.0737)

VI500-S

SCALE	WEIGHT	REVISIONS	
1:1	1.572		
DRAWING BY	DATE	REPLACES DRW. N.	DRAWING N.
Pedata	31/10/16		COAVP1000000206

REVISIONS DESCRIPTIONS

PROPRIETARY AND CONFIDENTIAL THE INFORMATION CONTAINED IN THIS DRAWING IS THE SOLE PROPERTY OF VALVOLE ITALIA. NO REPRODUCTION IN PART OR AS A WHOLE WITHOUT THE WRITTEN PERMISSION OF VALVOLE ITALIA. NO IS FORBIDDEN.