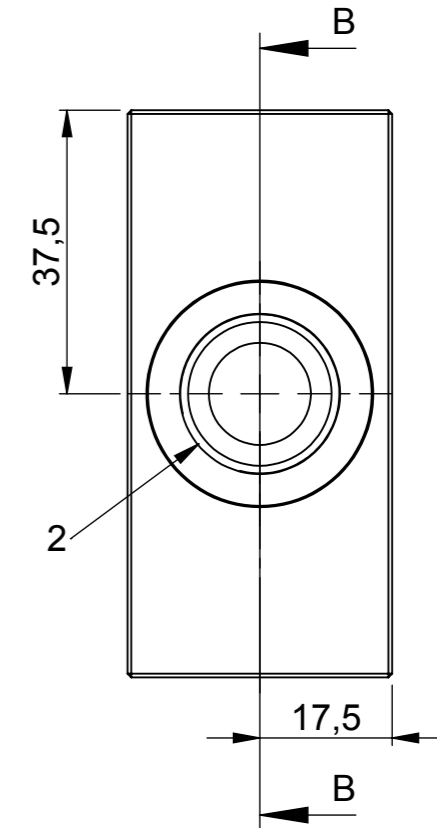
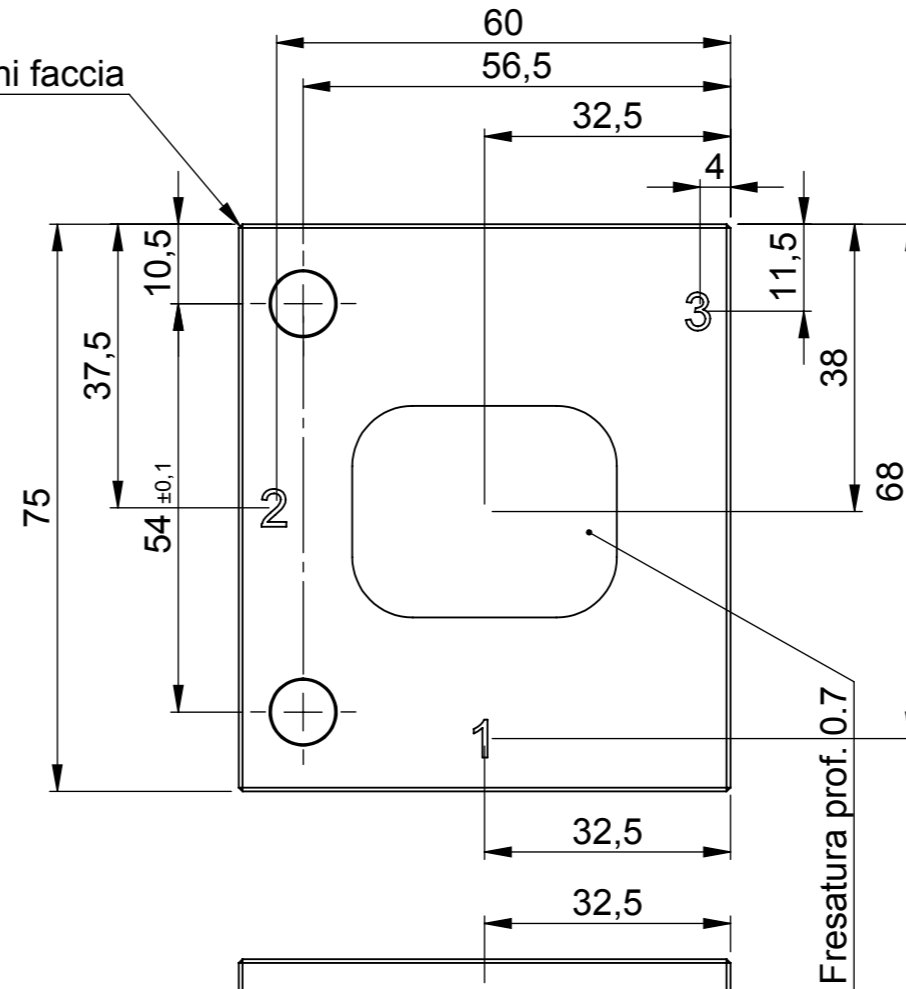
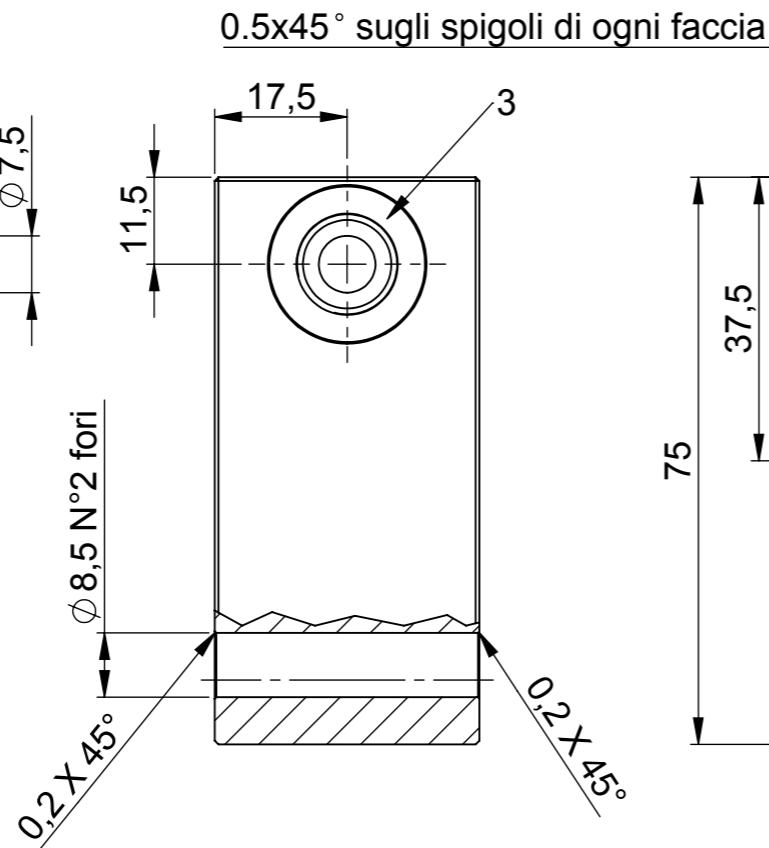
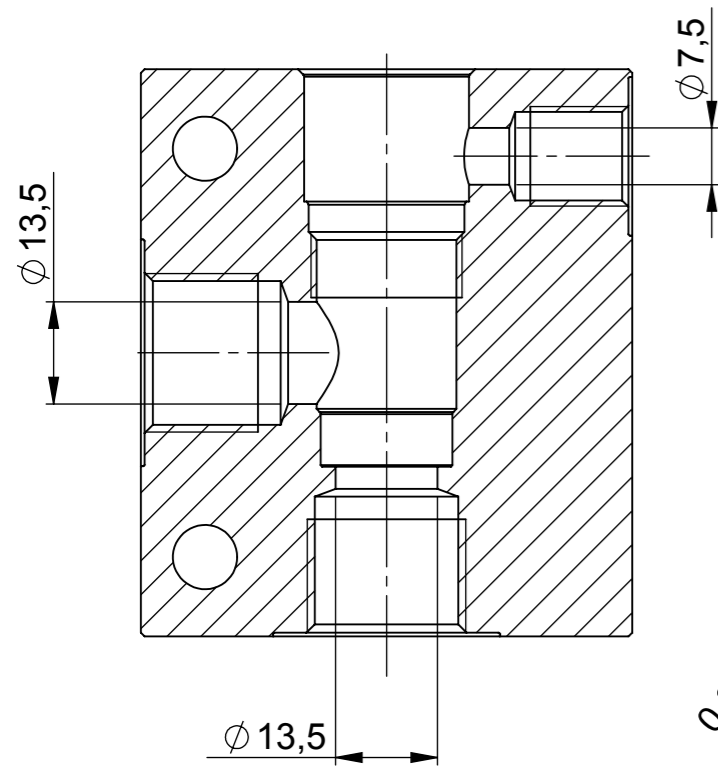
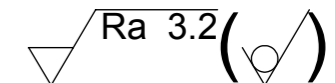
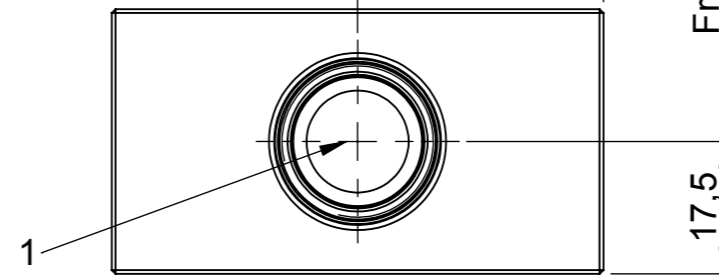


SEZIONE B-B



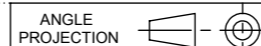
Blocchetto	
INGOMBRO	Valore
H	65
L	35
P	75

TABELLA FORI			
Pos.	Codice	Q.tà	Descrizione
1	CACMSUNM20X1515	1	CAVITA' 3V M20X1.5 (SUN T-11A)
2	VI001G120000000	2	ATTACCO G 1/2 ISO 1179-1
3	VI001G140000000	1	ATTACCO G 1/4 ISO 1179-1



UNLESS OTHERWISE SPECIFIED

DIMENSIONS mm



TOLERANCES ACCORDING TO (ISO2768-mk)

BASE SHAFT (h13)

BASE HOLE (H13)

LINEAR DIMENSIONS TILL (0.5 +/- 0.05)

ANGULAR DIMENSIONS TILL (0.5 +/- 0.05)

FILLETS AND CHAMFERS TILL (0.5 +/- 0.05)

DEBUR AND BREAK SHARP EDGES (0.1 +/- 0.05)

TITLE

C G I S S 11 L P I L 12

MATERIAL HEAT TREATMENTS SURFACE TREATMENTS HARDNESS

11SMnPb37 UNI EN 10277-3 (1.0737)

VI500-S

SCALE	WEIGHT	REVISIONS	
1:1	1.062		
DRAWING BY	DATE	REPLACES DRW. N.	DRAWING N.
Moretti	24/07/17		COAVP1000000294



REVISIONS DESCRIPTIONS