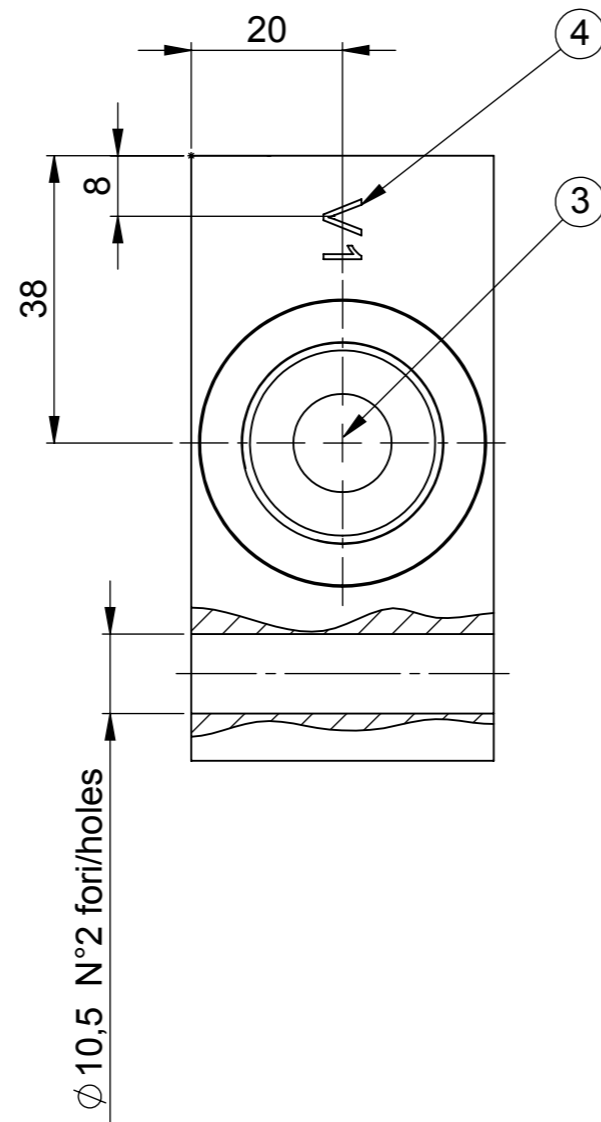
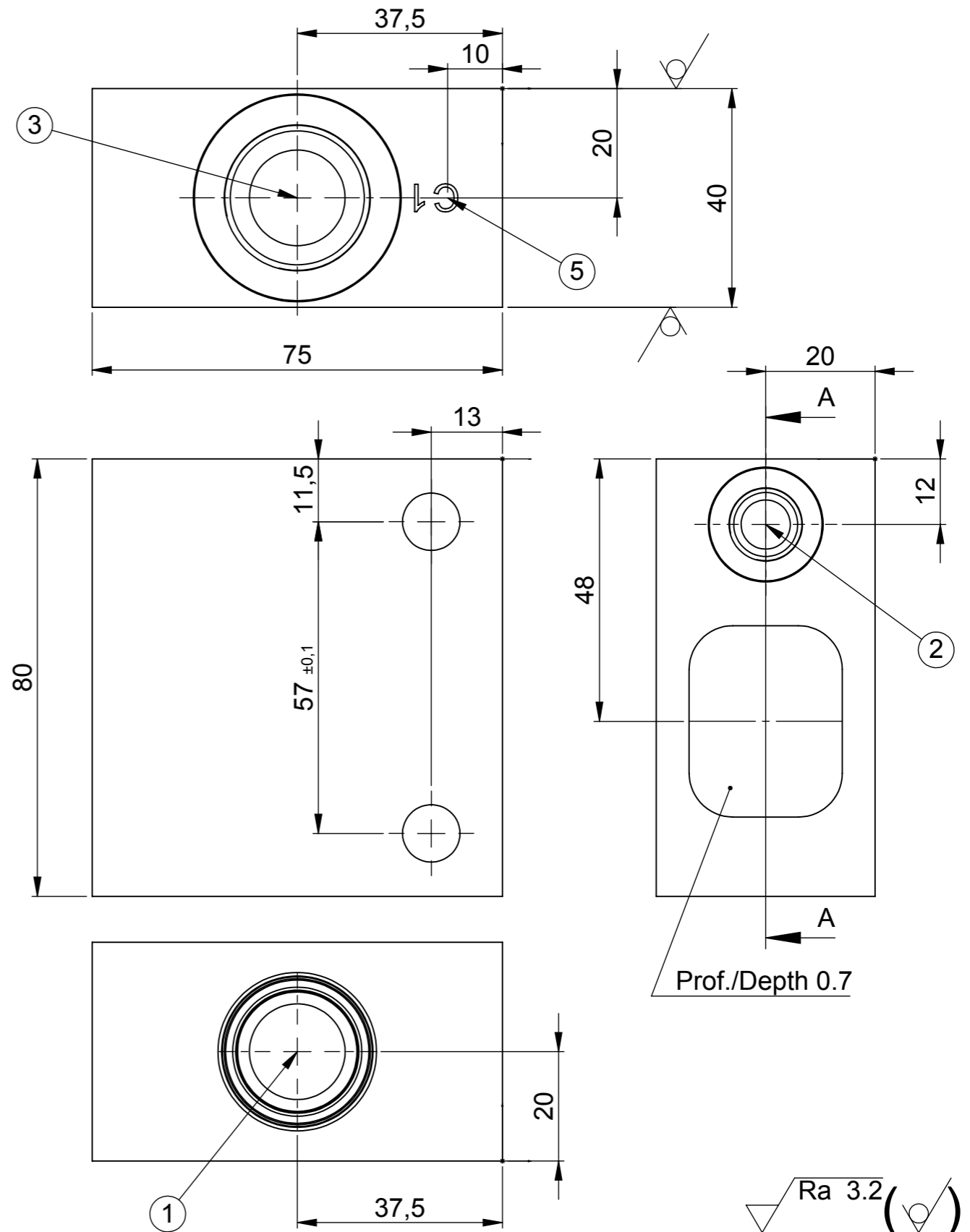


SEZIONE A-A



Ø 10,5 N°2 fori/holes



Ra 3.2

REVISIONS
DESCRIPTIONS

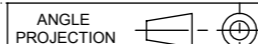
Blocchetto	
INGOMBRO	Valore
H	75
L	40
P	80

TABELLA FORI

Pos.	Codice	Q.tà	Descrizione
1	CACMSUN00011413	1	CAVITA' 3V 1"-14 UNS-2B (SUN T-2A)
2	VI001G140000000	1	ATTACCO G 1/4 ISO 1179-1
3	VI001G340000000	2	ATTACCO G 3/4 ISO 1179-1
4	VI0150000000003	1	MARCATURA V1
5	VI0150000000012	1	MARCATURA C1

UNLESS OTHERWISE SPECIFIED

DIMENSIONS mm



TOLERANCES ACCORDING TO (ISO2768-mk)
 BASE SHAFT (h13)
 BASE HOLE (H13)
 LINEAR DIMENSIONS TILL (0.5 +/- 0.05)
 ANGULAR DIMENSIONS TILL (0.5 +/- 0.05)
 FILLETS AND CHAMFERS TILL (0.5 +/- 0.05)
 DEBUR AND BREAK SHARP EDGES (0.1 +/- 0.05)



PROPRIETARY AND CONFIDENTIAL

THE INFORMATION CONTAINED IN THIS DRAWING IS THE SOLE PROPERTY OF VALVOLE ITALIA srl ANY REPRODUCTION IN PART OR AS A WHOLE WITHOUT THE WRITTEN PERMISSION OF VALVOLE ITALIA srl IS FORBIDDEN

TITLE
 C NORMALE T2A S 4:1 TV 3/4

MATERIAL HEAT TREATMENTS SURFACE TREATMENTS HARDNESS

11SMn37 UNI EN 10277-3 (1.0736)

VI500-S

SCALE	WEIGHT	REVISIONS	
1:1	1.421		
DRAWING BY Pedata	DATE 09/08/17	REPLACES DRW. N.	DRAWING N. COAVP1000000302